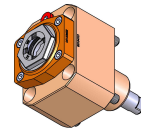


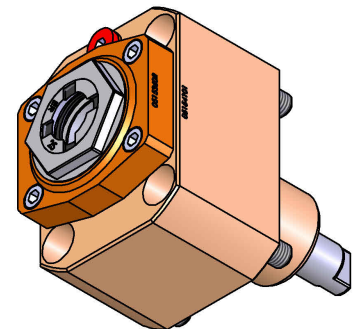
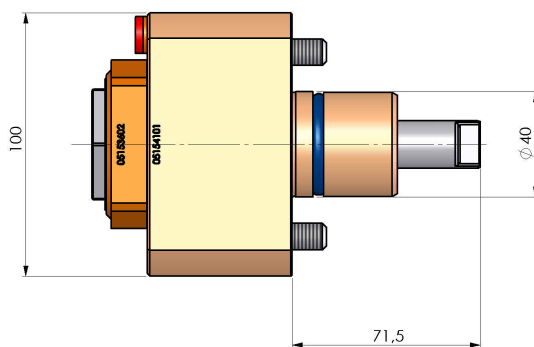
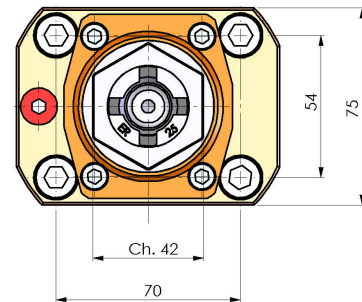
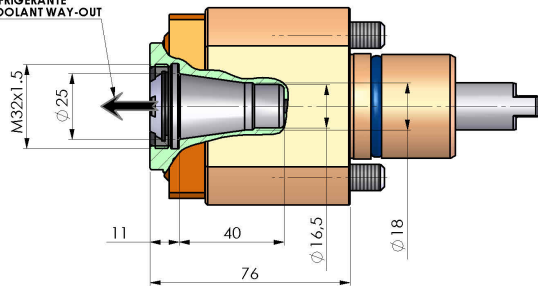
05154100 - LT-S D40 ER25F RF H76 MU

Type	LT-S Tool holder straight
Mounting	CYLINDRICAL SHANK 40
Tool output	Collet nut ER 25 F - internal nut
Coolant	Internal coolant
Direction of rotation	r1 ↻ r2 ↻
Max speed [rpm]	6000
Max torque [Nm]	40
Ratio	1:1
H [mm]	76
Accessories	
Notes	N.A.
Mounting tips	Not suitable for every application, please check



Always check live tool dimensions on the turret

USCITA LIQUIDO
REFRIGERANTE
COOLANT WAY-OUT



DATE/DATE
29/10/2015 05154100-R011

Subject to technical changes