

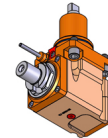
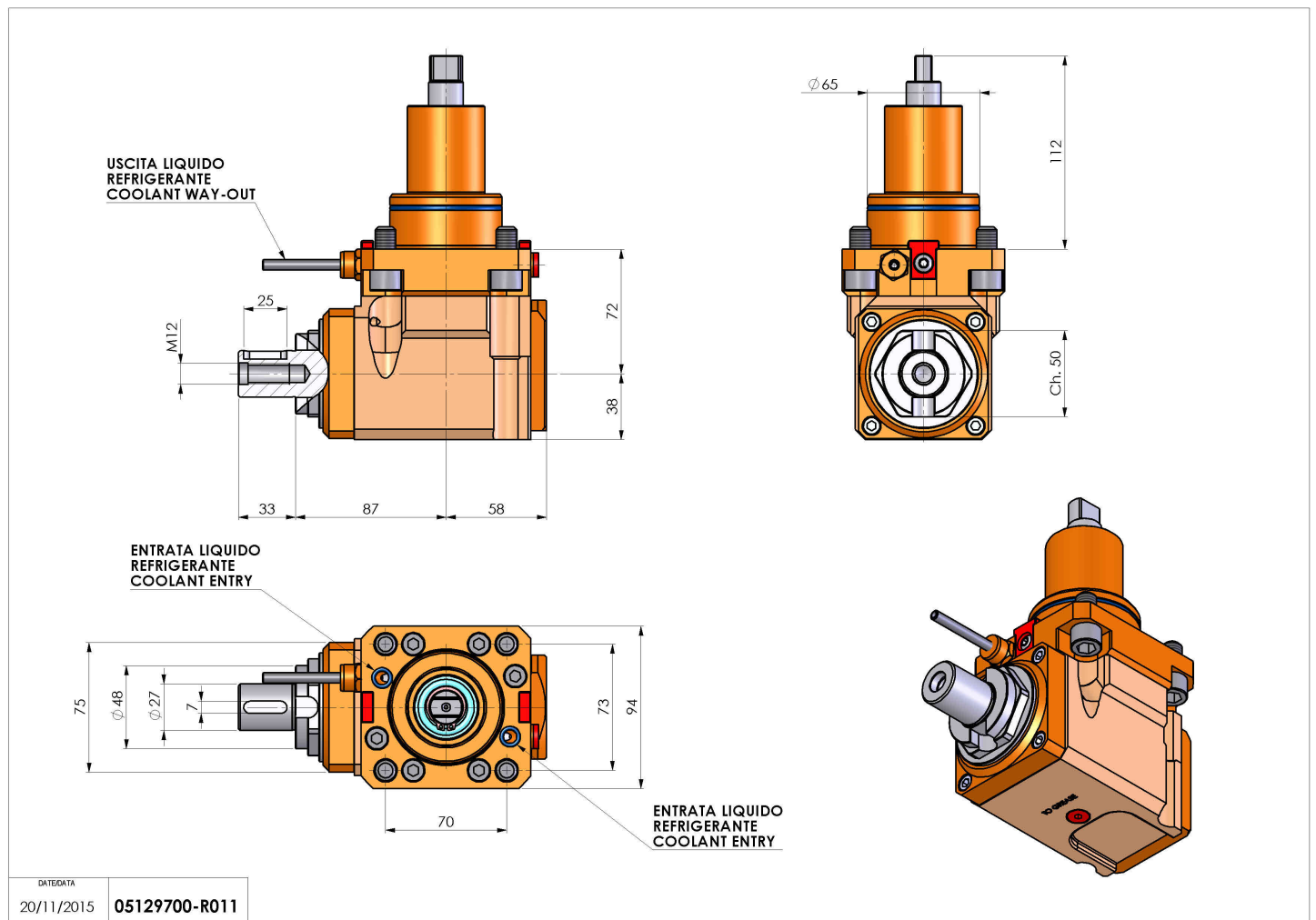


# 05129700 - LT-A BMT65 DIN138-27 L-R H72

<b>Type</b>	LT-A Tool holder angle 90°
<b>Mounting</b>	BMT 65
<b>Tool output</b>	Shell-Mill DIN138 27
<b>Coolant</b>	External coolant
<b>Direction of rotation</b>	r1  r2 
<b>Max speed [rpm]</b>	6000
<b>Max torque [Nm]</b>	63
<b>Ratio</b>	1:1
<b>H [mm]</b>	72
<b>H1 [mm]</b>	38
<b>Accessories</b>	N.A.
<b>Notes</b>	N.A.
<b>Mounting tips</b>	Not suitable for every application, please check



Always check live tool dimensions on the turret



DATE/DATE	05129700-R011
20/11/2015	

Subject to technical changes