


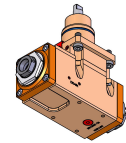
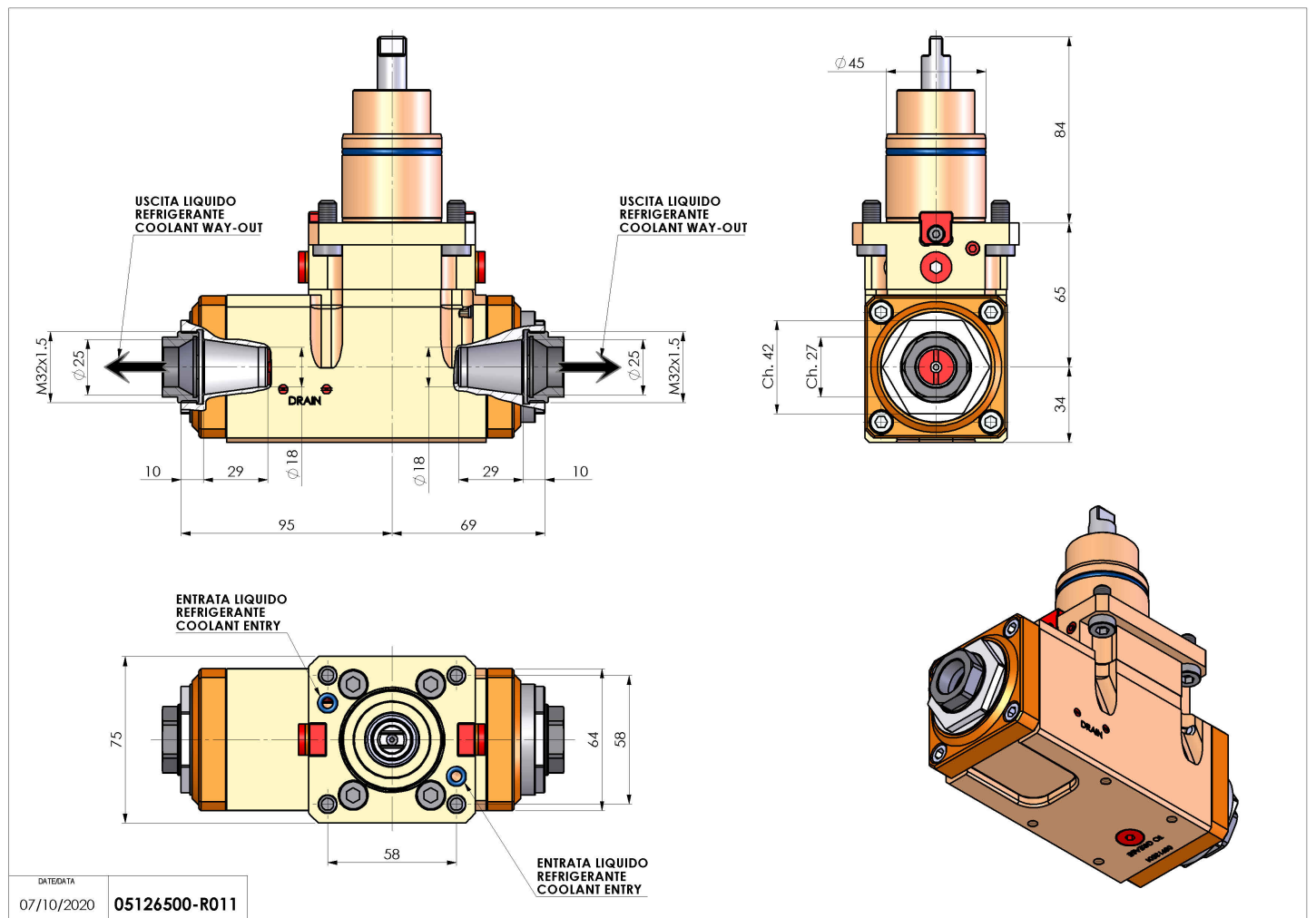


# 05126500 - LT-A BMT45 ER25F-ER25F HRF H65

<b>Type</b>	LT-A DBL Tool holder double angle 90°
<b>Mounting</b>	BMT 45
<b>Tool output</b>	Collet nut ER 25 F - internal nut
<b>Coolant</b>	HP Internal/external coolant
<b>Direction of rotation</b>	r1  r2  r3 
<b>Max speed [rpm]</b>	6000
<b>Max torque [Nm]</b>	25
<b>Ratio</b>	1:1
<b>H [mm]</b>	65
<b>H1 [mm]</b>	34
<b>Max pressure [bar]</b>	70
<b>Accessories</b>	N.A.
<b>Notes</b>	N.A.
<b>Mounting tips</b>	Not suitable for every application, please check



Always check live tool dimensions on the turret



Subject to technical changes