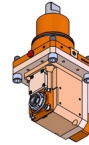
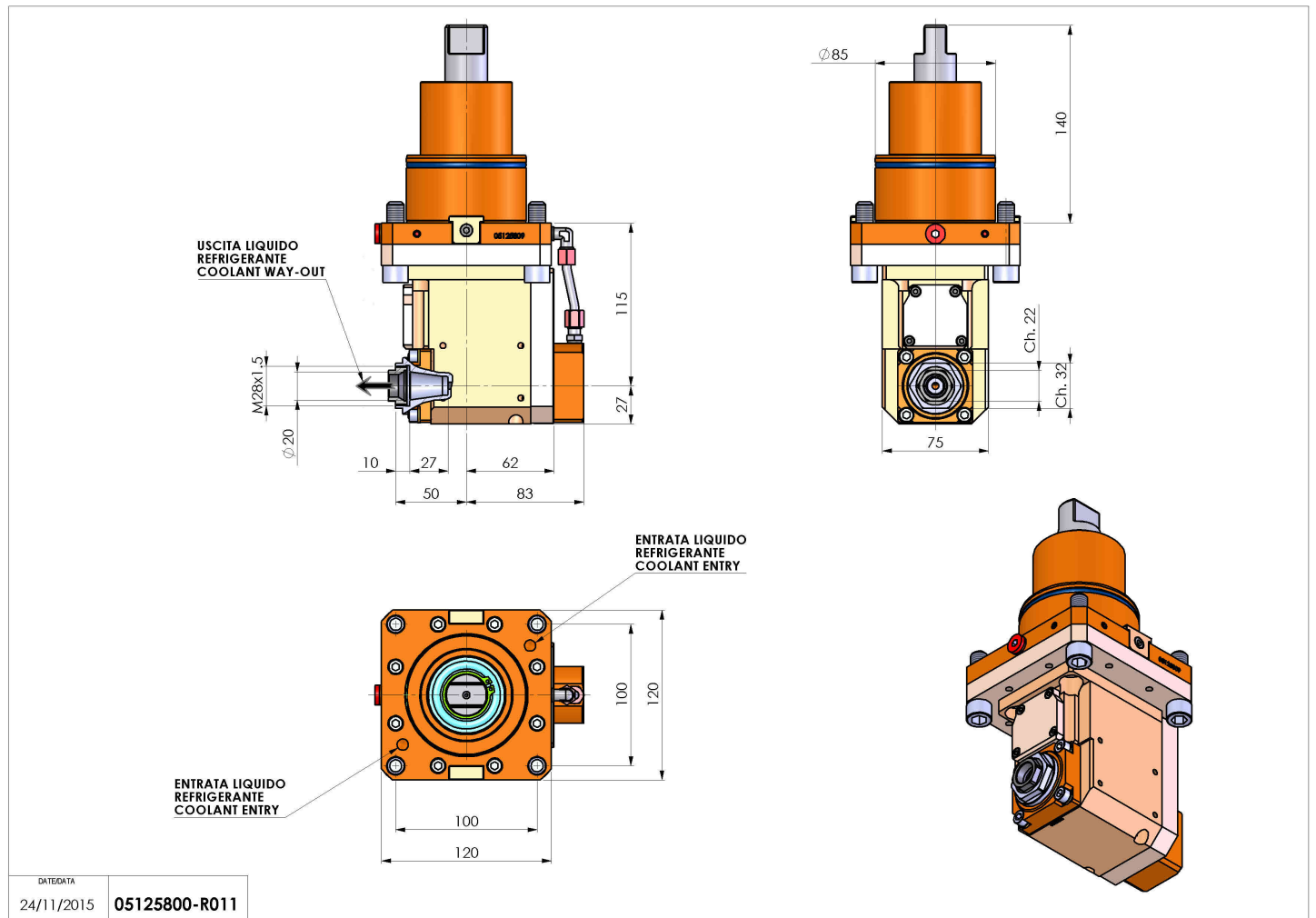


## 05125800 - LT-A BMT85 ER20F RF H115 1:2

<b>Type</b>	LT-A Tool holder angle 90°
<b>Mounting</b>	BMT 85
<b>Tool output</b>	Collet nut ER 20 F - internal nut
<b>Coolant</b>	Internal coolant
<b>Direction of rotation</b>	r1 ↻ r2 ↻
<b>Max speed [rpm]</b>	in 5000 / out 10000
<b>Max torque [Nm]</b>	in 50 / out 25
<b>Ratio</b>	1:2
<b>H [mm]</b>	115
<b>H1 [mm]</b>	27
<b>Accessories</b>	N.A.
<b>Notes</b>	N.A.
<b>Mounting tips</b>	Not suitable for every application, please check



Always check live tool dimensions on the turret



Subject to technical changes

DATE/DATE  
24/11/2015 05125800-R011