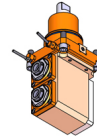
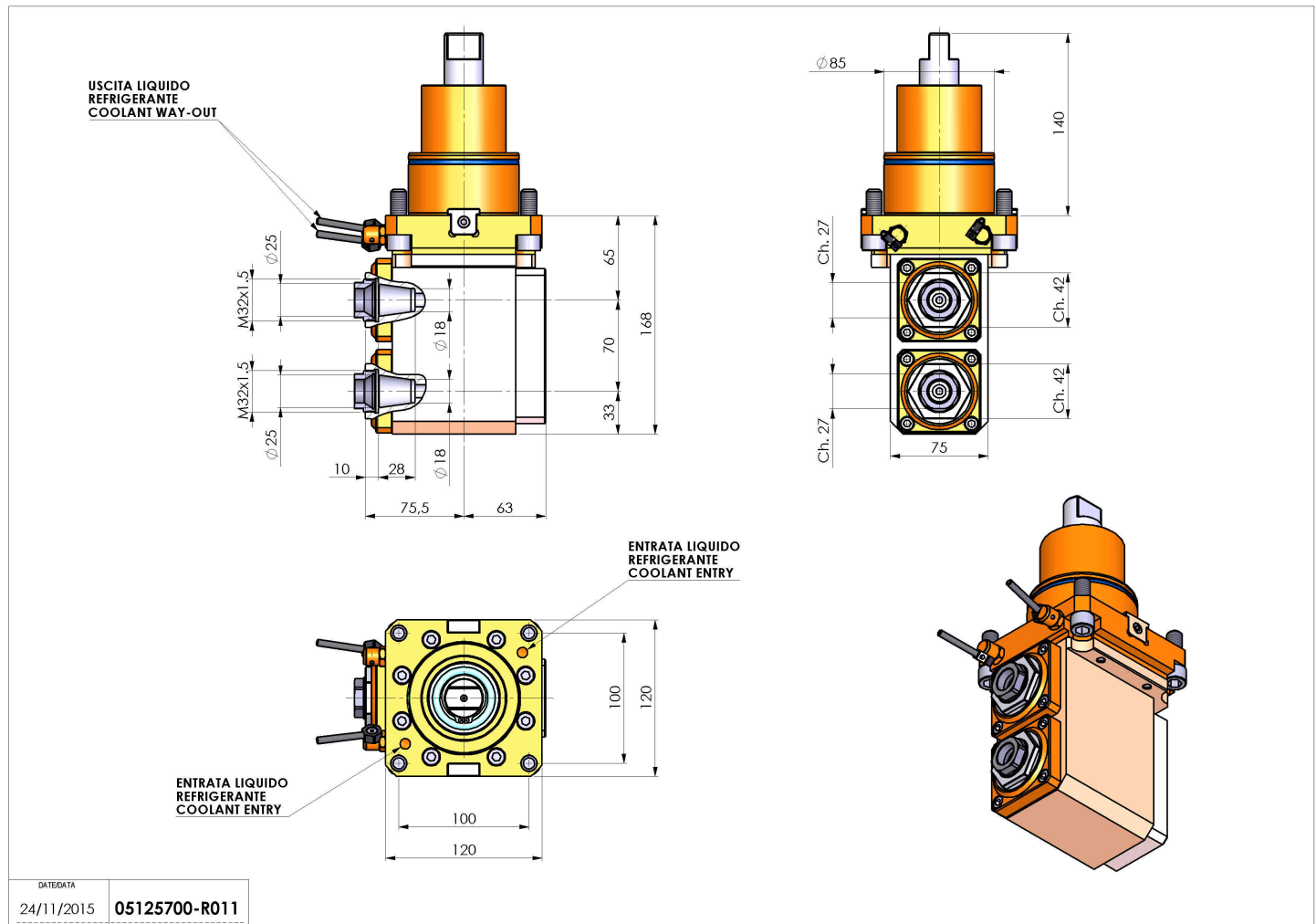


05125700 - LT-A BMT85 ER25F-25F H65-70 DW

Type	LT-A2 V Tool holder angle 90° double vertical
Mounting	BMT 85
Tool output	Collet nut ER 25 F - internal nut
Coolant	External coolant
Offset [mm]	70
Direction of rotation	r1 ↻ r2 ↻
Max speed [rpm]	6000
Max torque [Nm]	40
Ratio	1:1
H [mm]	65-135
H1 [mm]	33
Accessories	N.A.
Notes	
Mounting tips	Not suitable for every application, please check



Always check live tool dimensions on the turret



DATE/DATE	05125700-R011
24/11/2015	

Subject to technical changes