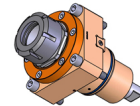
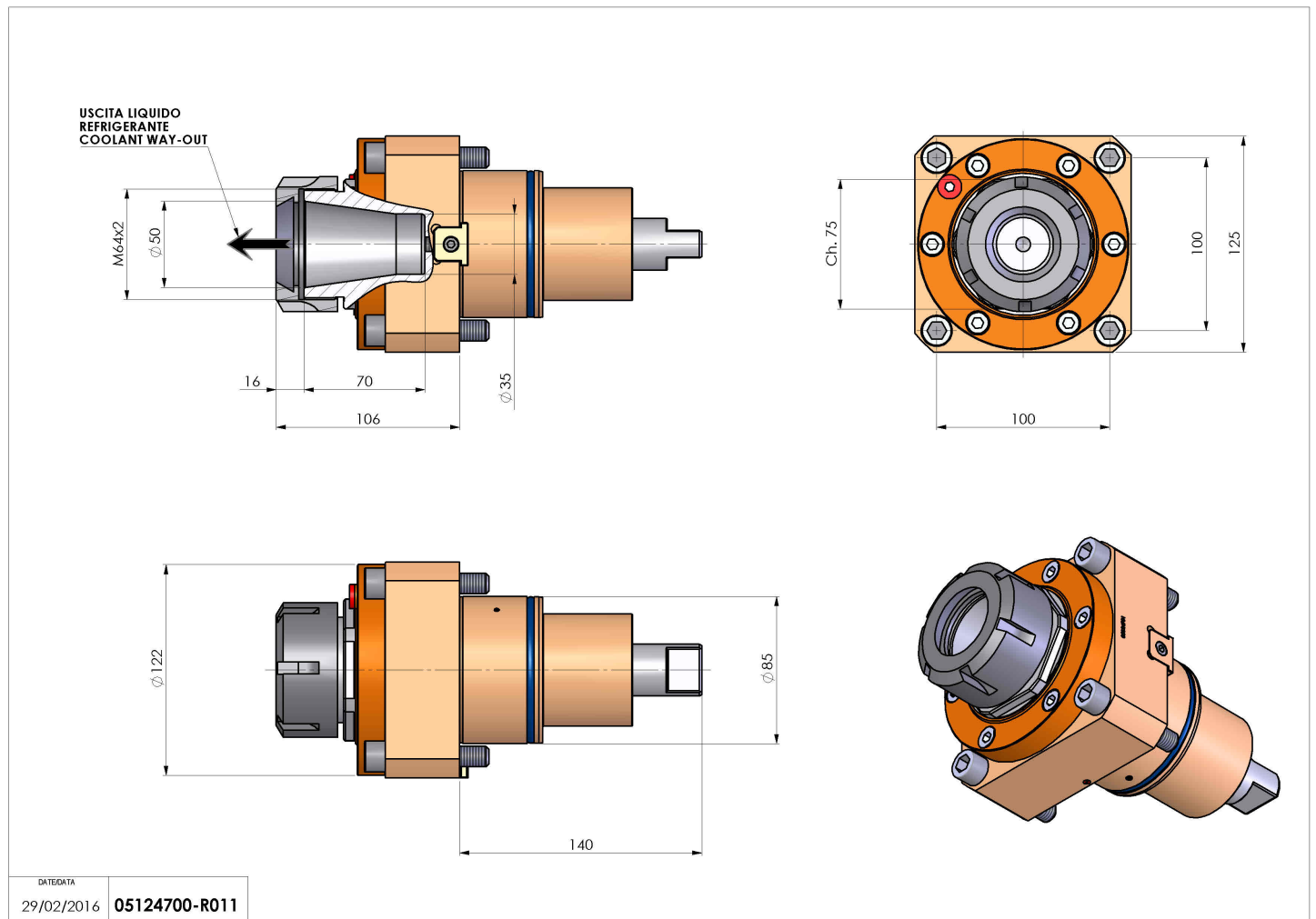


05124700 - LT-S BMT85 ER50 RF H106

| | |
|------------------------------|--|
| Type | LT-S Tool holder straight |
| Mounting | BMT 85 |
| Tool output | Collet nut ER 50 |
| Coolant | Internal coolant |
| Direction of rotation | r1 r2 |
| Max speed [rpm] | 4000 |
| Max torque [Nm] | 100 |
| Ratio | 1:1 |
| H [mm] | 106 |
| Accessories | |
| Notes | N.A. |
| Mounting tips | Not suitable for every application, please check |



Always check live tool dimensions on the turret



| | |
|------------|----------------------|
| DATE/DATE | |
| 29/02/2016 | 05124700-R011 |

Subject to technical changes