

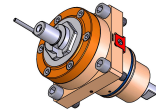
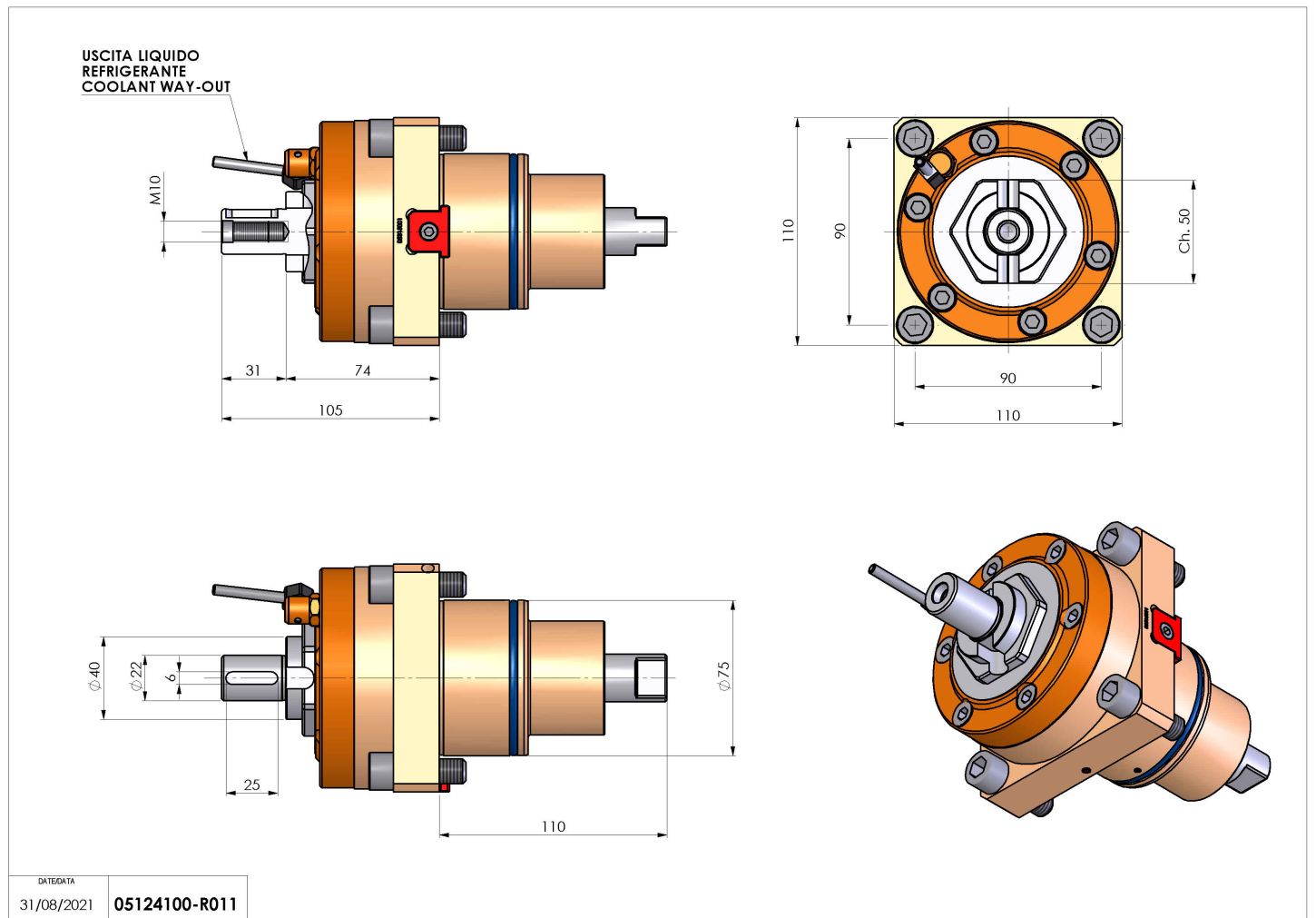


## 05124100 - LT-S BMT75 DIN 138-22 H74

<b>Type</b>	LT-S Tool holder straight
<b>Mounting</b>	BMT 75
<b>Tool output</b>	Shell-Mill DIN138 22
<b>Coolant</b>	External coolant
<b>Direction of rotation</b>	r1  r2 
<b>Max speed [rpm]</b>	4000
<b>Max torque [Nm]</b>	100
<b>Ratio</b>	1:1
<b>H [mm]</b>	74
<b>Accessories</b>	
<b>Notes</b>	N.A.
<b>Mounting tips</b>	Not suitable for every application, please check



Always check live tool dimensions on the turret



DATE/DATE  
31/08/2021 05124100-R011

Subject to technical changes