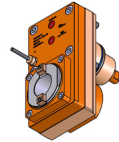
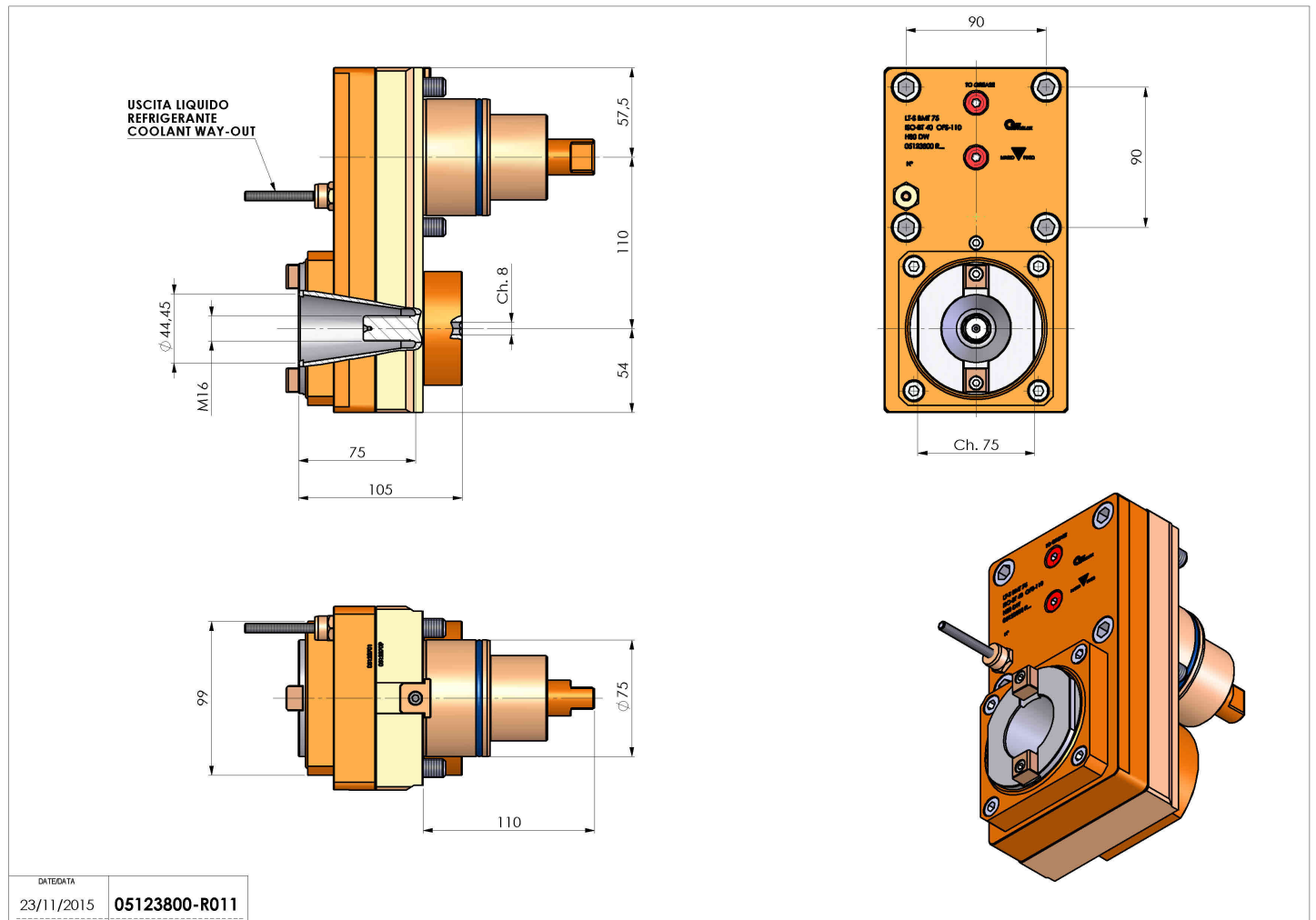


05123800 - LT-S BMT75 ISOBT40 OFS110H80DW

| | |
|------------------------------|--|
| Type | LT-S OFS Tool holder straight offset |
| Mounting | BMT 75 |
| Tool output | Quick Change ISO-BT40 |
| Coolant | External coolant |
| Offset [mm] | 110 |
| Direction of rotation | r1 ↻ r2 ↻ |
| Max speed [rpm] | 4000 |
| Max torque [Nm] | 180 |
| Ratio | 1:1 |
| H [mm] | 80 |
| Accessories | N.A. |
| Notes | N.A. |
| Mounting tips | Not suitable for every application, please check |



Always check live tool dimensions on the turret



| | |
|------------|---------------|
| DATE/DATE | 05123800-R011 |
| 23/11/2015 | |

Subject to technical changes