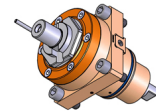
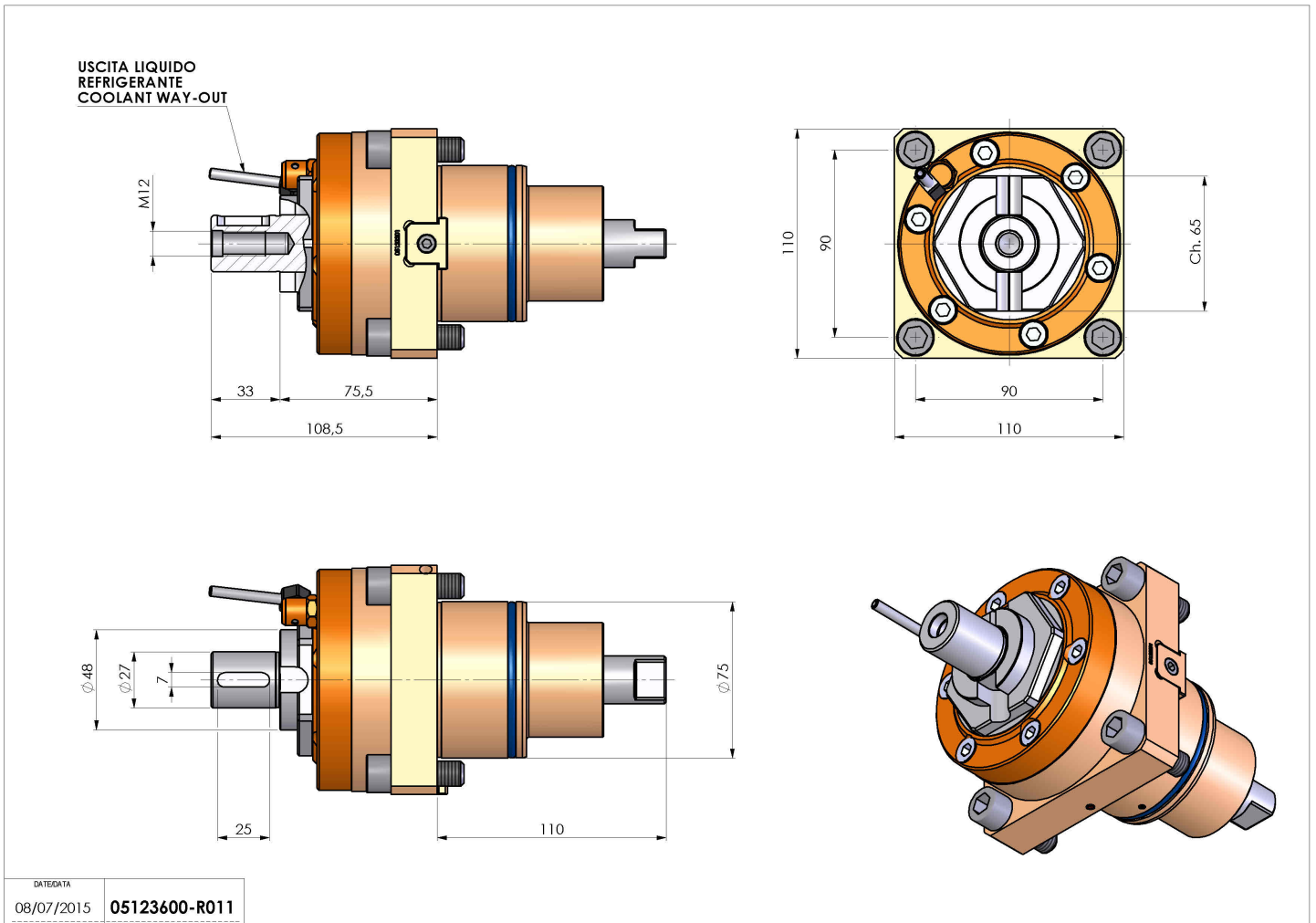


05123600 - LT-S BMT75 DIN138-27 H75 DW

Type	LT-S Tool holder straight
Mounting	BMT 75
Tool output	Shell-Mill DIN138 27
Coolant	External coolant
Direction of rotation	r1 ↻ r2 ↻
Max speed [rpm]	4000
Max torque [Nm]	100
Ratio	1:1
H [mm]	75,5
Accessories	
Notes	N.A.
Mounting tips	Not suitable for every application, please check



Always check live tool dimensions on the turret



DATE/DATE	08/07/2015
	05123600-R011

Subject to technical changes