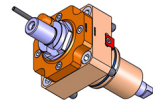
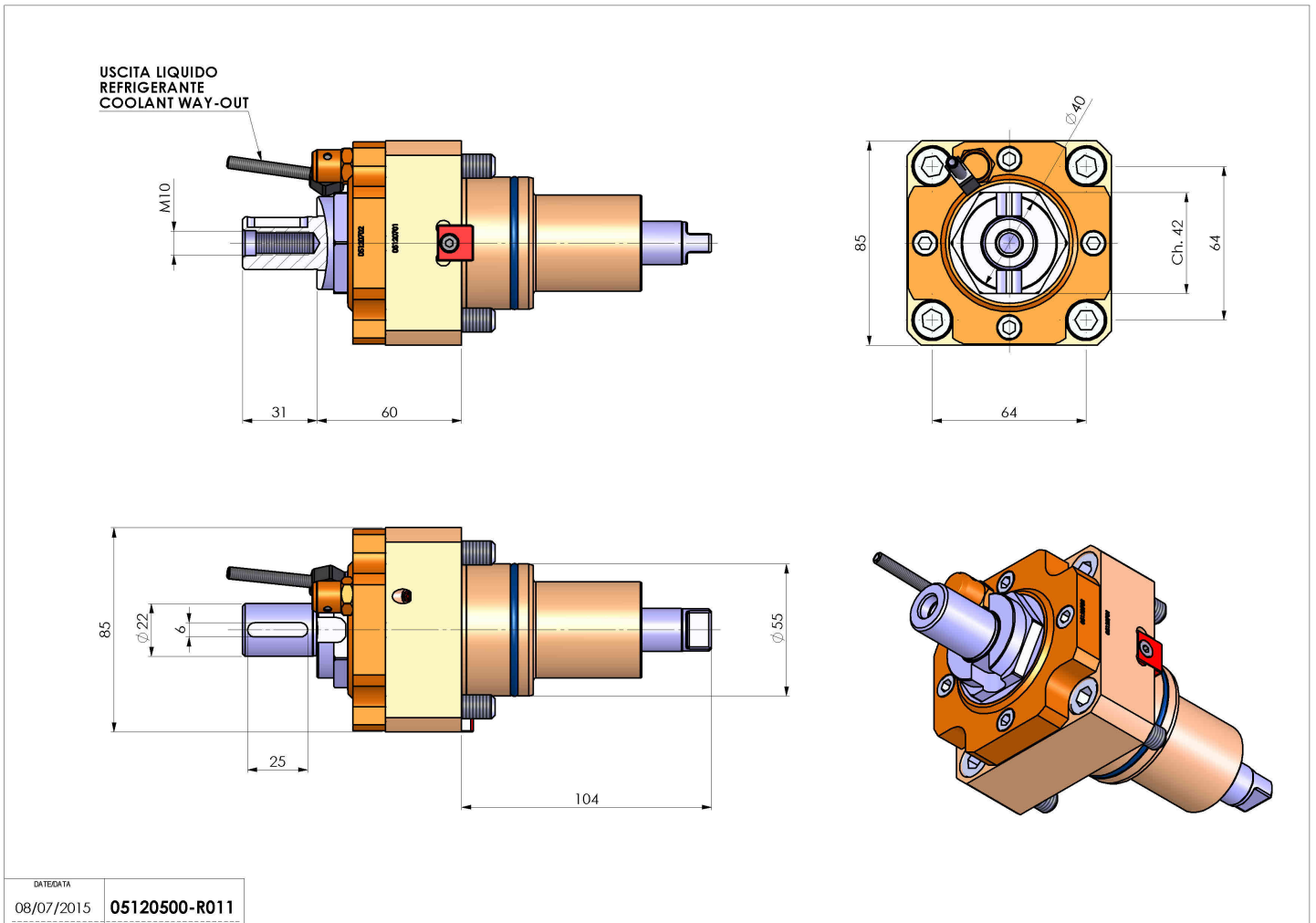


05120500 - LT-S BMT55 DIN138-22 H60 DW

| | |
|------------------------------|--|
| Type | LT-S Tool holder straight |
| Mounting | BMT 55 |
| Tool output | Shell-Mill DIN138 22 |
| Coolant | External coolant |
| Direction of rotation | r1 ↻ r2 ↻ |
| Max speed [rpm] | 6000 |
| Max torque [Nm] | 40 |
| Ratio | 1:1 |
| H [mm] | 60 |
| Accessories | |
| Notes | N.A. |
| Mounting tips | Not suitable for every application, please check |



Always check live tool dimensions on the turret



| | |
|-----------|---------------|
| DATE/DATE | 08/07/2015 |
| | 05120500-R011 |

Subject to technical changes