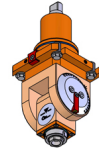
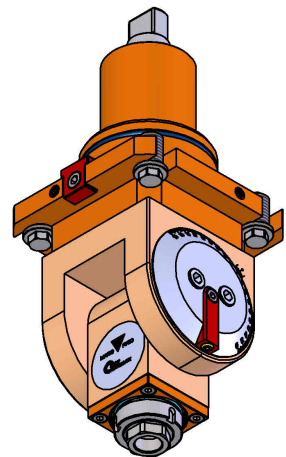
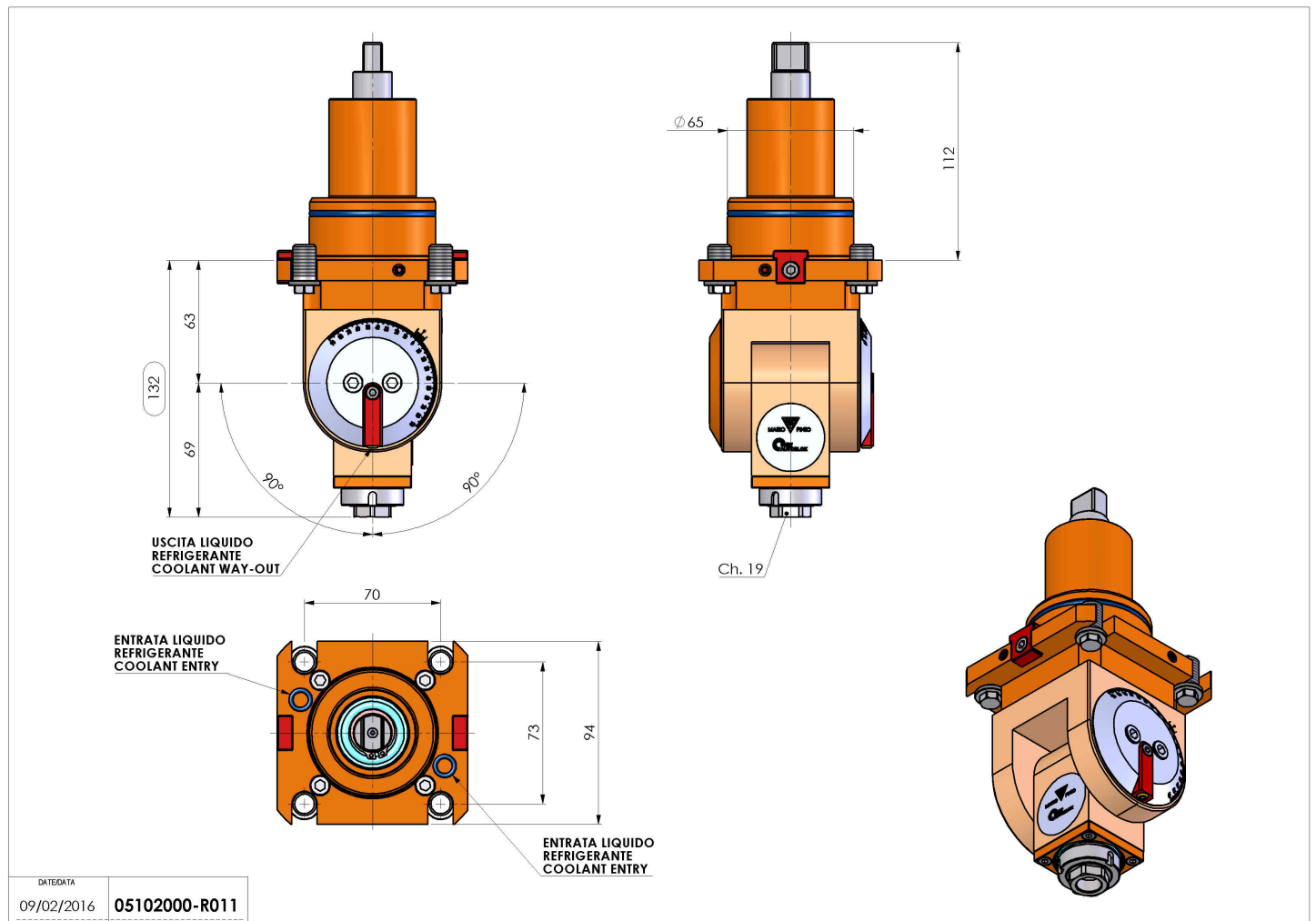


05102000 - LT-T BMT65 ER16F H63-132 K-W

| | |
|------------------------------|--|
| Type | LT-T Tool holder tiltable |
| Mounting | BMT 65 |
| Tool output | Collet nut ER 16 F - internal nut |
| Coolant | External coolant |
| Direction of rotation | r1 r2 |
| Max speed [rpm] | 6000 |
| Max torque [Nm] | 10 |
| Ratio | 1:1 |
| H [mm] | 63-132 |
| Accessories | N.A. |
| Notes | N.A. |
| Mounting tips | Not suitable for every application, please check |



Always check live tool dimensions on the turret



Subject to technical changes

| | |
|------------|---------------|
| DATE/DATE | |
| 09/02/2016 | 05102000-R011 |