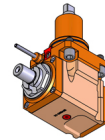
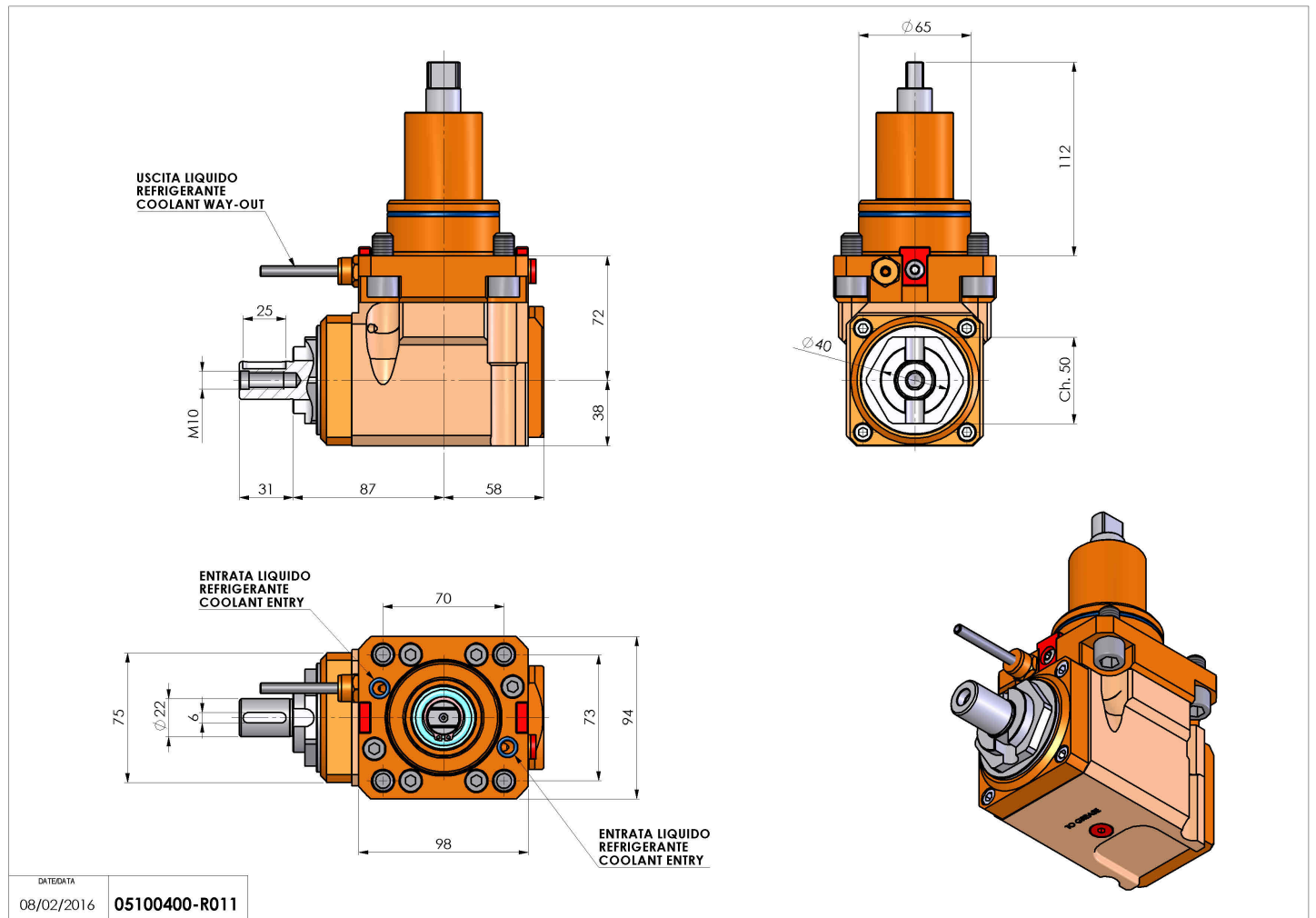


## 05100400 - LT-A BMT65 DIN-22 L-R H72 K-W

Type	LT-A Tool holder angle 90°
Mounting	BMT 65
Tool output	Shell-Mill DIN138 22
Coolant	External coolant
Direction of rotation	r1 ↻ r2 ↻
Max speed [rpm]	6000
Max torque [Nm]	63
Ratio	1:1
H [mm]	72
H1 [mm]	38
Accessories	N.A.
Notes	N.A.
Mounting tips	Not suitable for every application, please check



Always check live tool dimensions on the turret



DATE/DATE  
08/02/2016 05100400-R011

Subject to technical changes