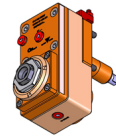
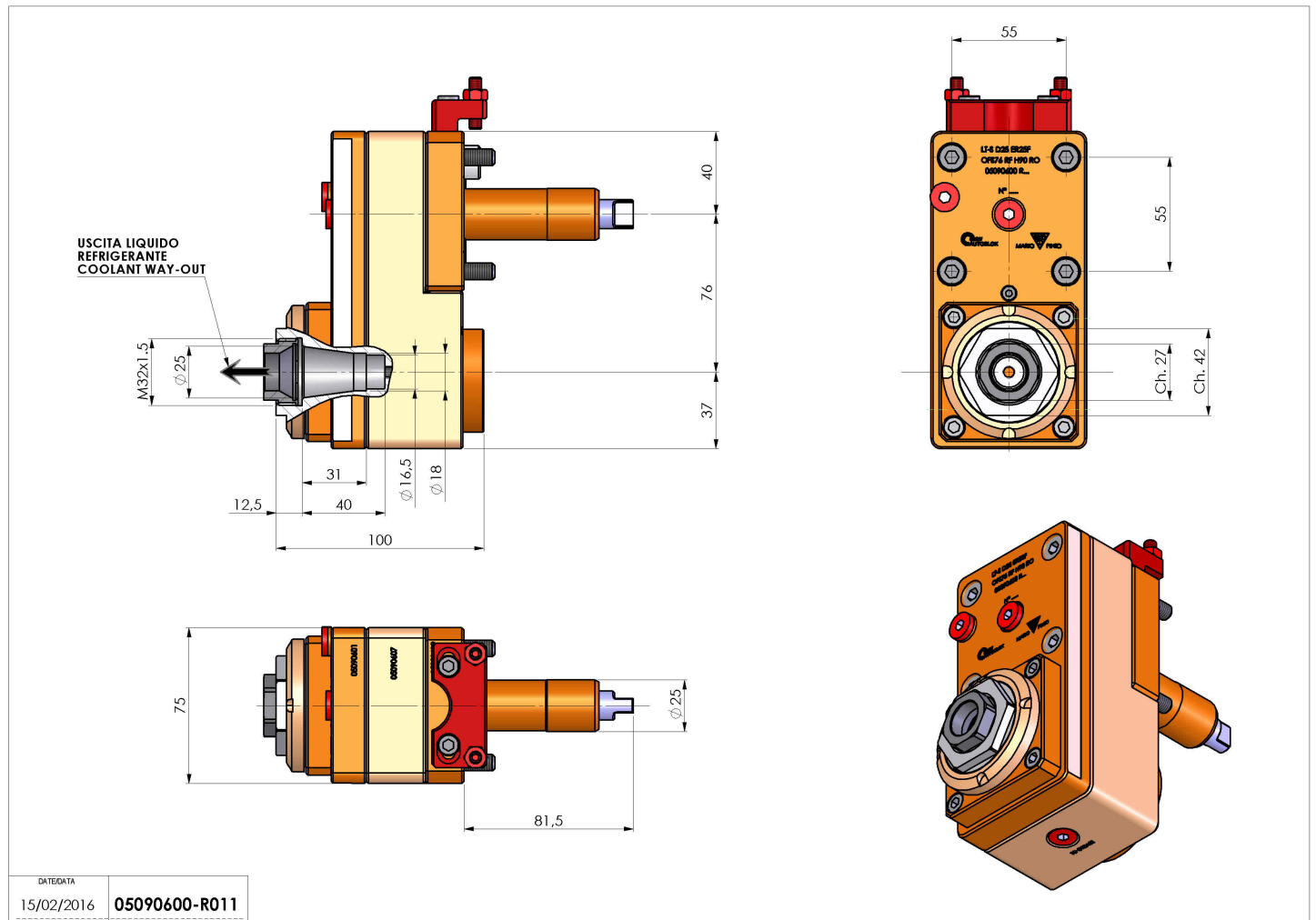


# 05090600 - LT-S D25 ER25F OFS76 RF H90 RO

|                              |  |
|------------------------------|--|
| <b>Type</b>                  | LT-S OFS<br>Tool holder straight offset          |
| <b>Mounting</b>              | CYLINDRICAL SHANK 25                             |
| <b>Tool output</b>           | Collet nut ER 25 F - internal nut                |
| <b>Coolant</b>               | Internal coolant                                 |
| <b>Offset [mm]</b>           | 76   |
| <b>Direction of rotation</b> | r1  r2   |
| <b>Max speed [rpm]</b>       | 6000   |
| <b>Max torque [Nm]</b>       | 40   |
| <b>Ratio</b>                 | 1:1  |
| <b>H [mm]</b>                | 90,5   |
| <b>Accessories</b>           | N.A.   |
| <b>Notes</b>                 | N.A.   |
| <b>Mounting tips</b>         | Not suitable for every application, please check |



Always check live tool dimensions on the turret



|            |               |
|------------|---------------|
| DATE/DATE  | 05090600-R011 |
| 15/02/2016 |               |

Subject to technical changes