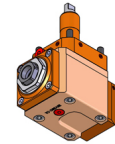
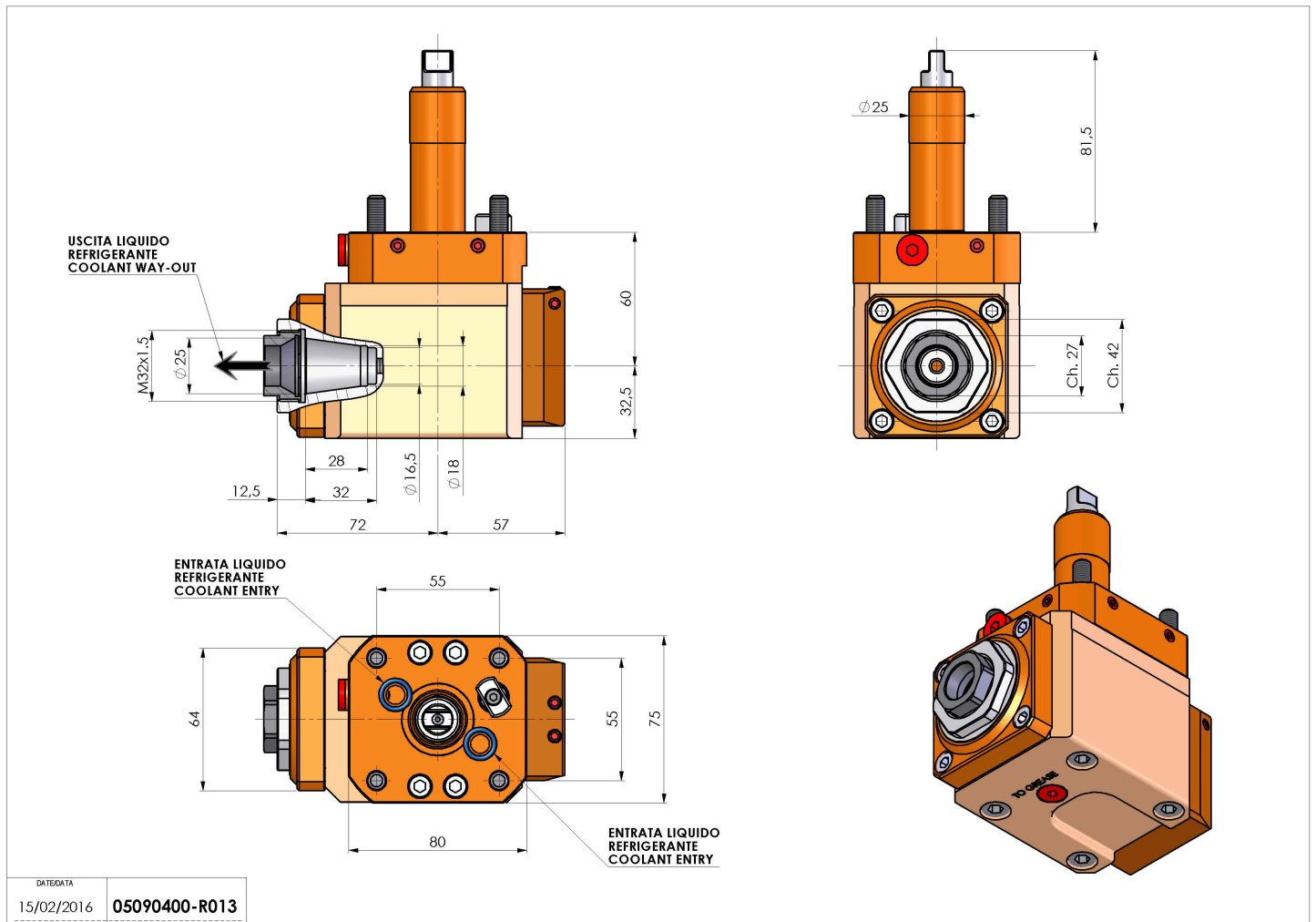


05090400 - LT-A D25 ER25-F L-R RF H60 RO

Type	LT-A Tool holder angle 90°
Mounting	CYLINDRICAL SHANK 25
Tool output	Collet nut ER 25 F - internal nut
Coolant	Internal coolant
Direction of rotation	r1 r2
Max speed [rpm]	6000
Max torque [Nm]	25
Ratio	1:1
H [mm]	60
H1 [mm]	32,5
Accessories	N.A.
Notes	N.A.
Mounting tips	Not suitable for every application, please check



Always check live tool dimensions on the turret



DATE/DATE: 15/02/2016 05090400-R013

Subject to technical changes