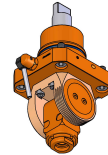
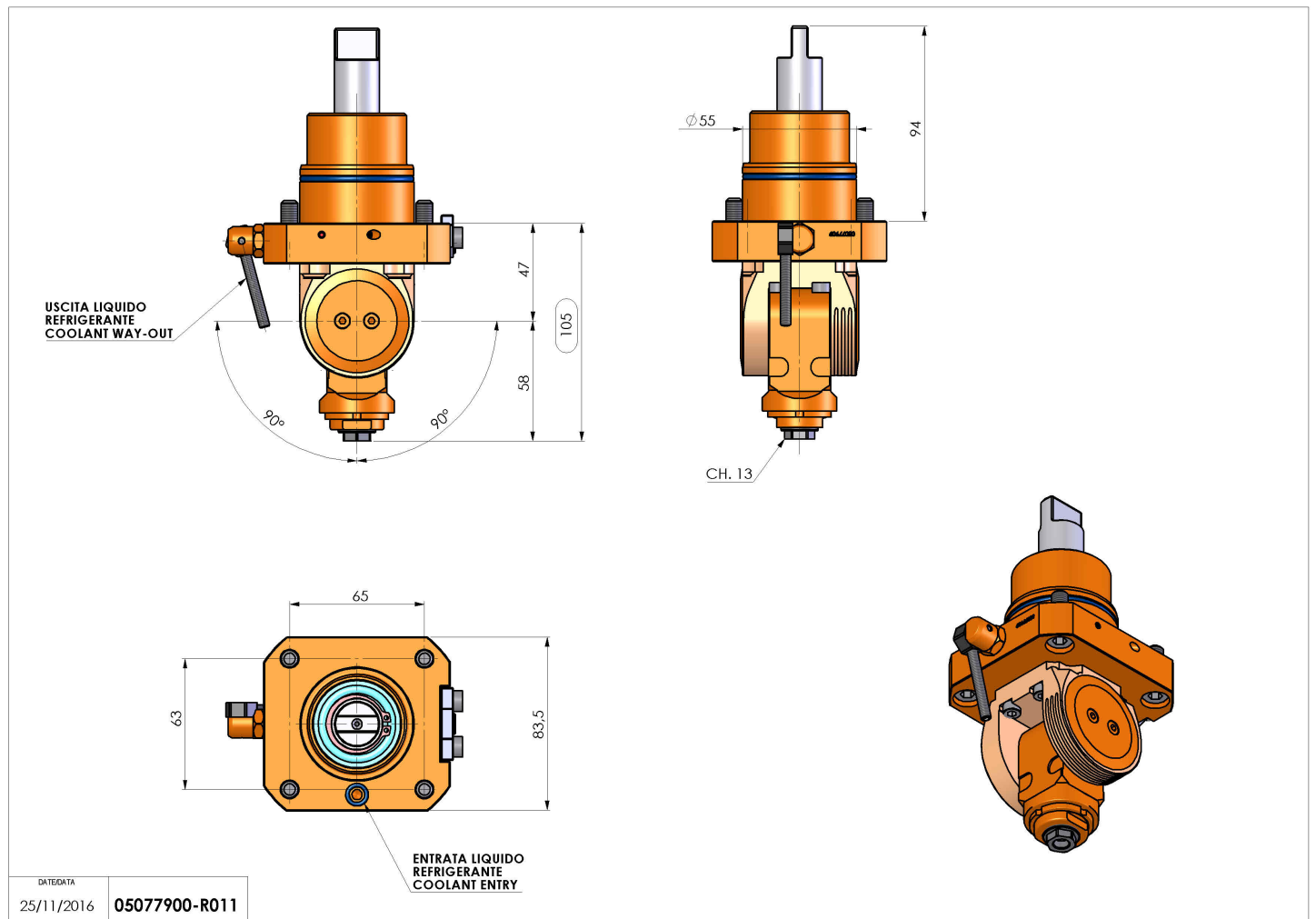


05077900 - LT-T D55 ER11F H44-102 BI

Type	LT-T Tool holder tiltable
Mounting	CYLINDRICAL SHANK 55
Tool output	Collet nut ER 11 F
Coolant	External coolant
Direction of rotation	r1 ↻ r2 ↻
Max speed [rpm]	6000
Max torque [Nm]	5
Ratio	1:1
H [mm]	44-102
Accessories	N.A.
Notes	N.A.
Mounting tips	Not suitable for every application, please check



Always check live tool dimensions on the turret



DATE/DATE
25/11/2016 05077900-R011

Subject to technical changes