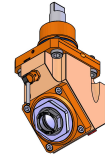
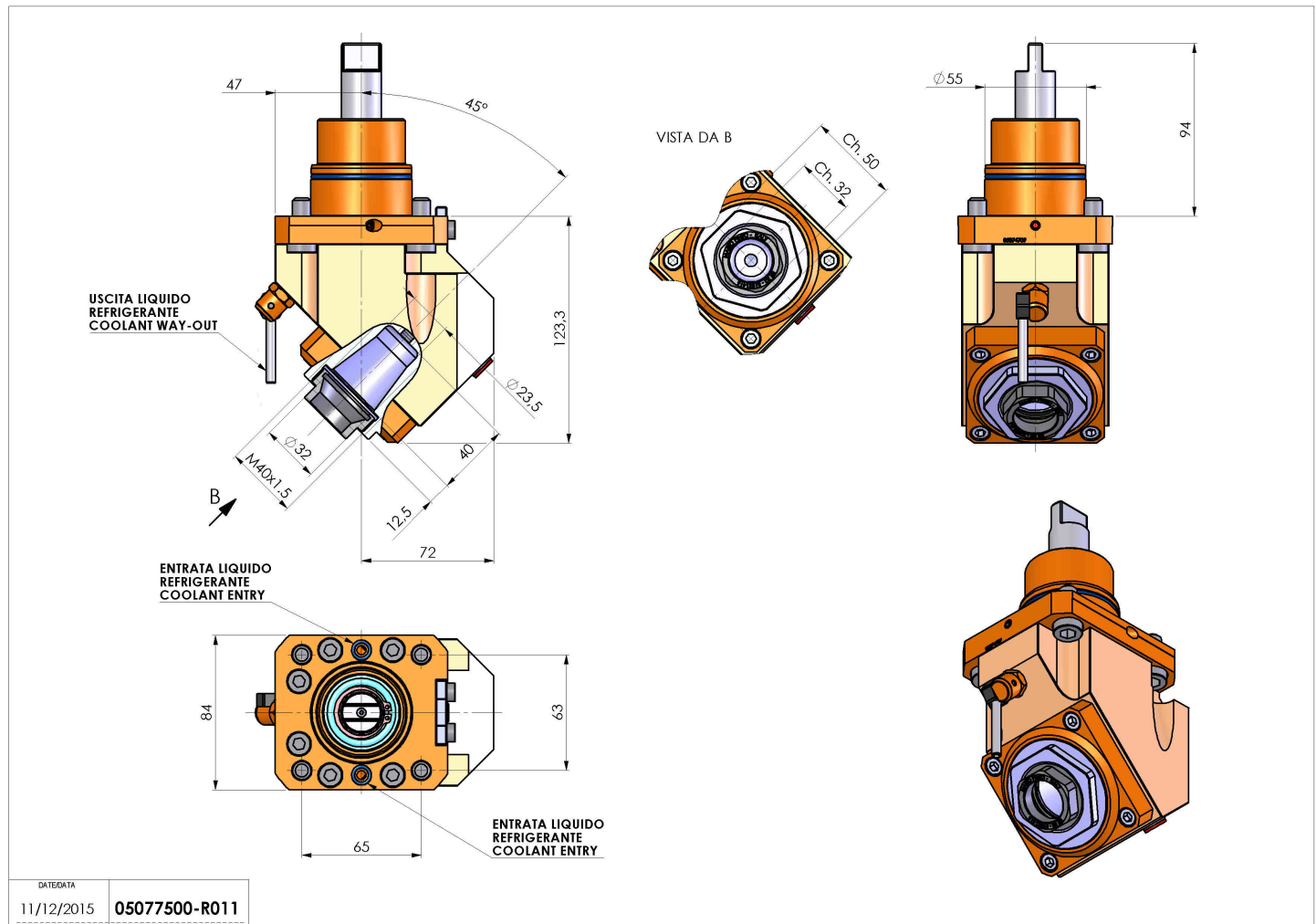


05077500 - LT-A45 D55 ER32F LR1:1H104BI

| | |
|------------------------------|--------------------------------------------------|
| Type | LT-A-(a) Tool holder with fix angle (alpha) |
| Mounting | CYLINDRICAL SHANK 55 |
| Tool output | Collet nut ER 32 F - internal nut |
| Coolant | External coolant |
| Direction of rotation | r1 ↻ r2 ↻ |
| Max speed [rpm] | 6000 |
| Max torque [Nm] | 40 |
| Ratio | 1:1 |
| H [mm] | 104 |
| H1 [mm] | 123 |
| Accessories | N.A. |
| Notes | N.A. |
| Mounting tips | Not suitable for every application, please check |



Always check live tool dimensions on the turret



Subject to technical changes