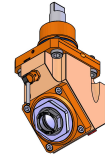
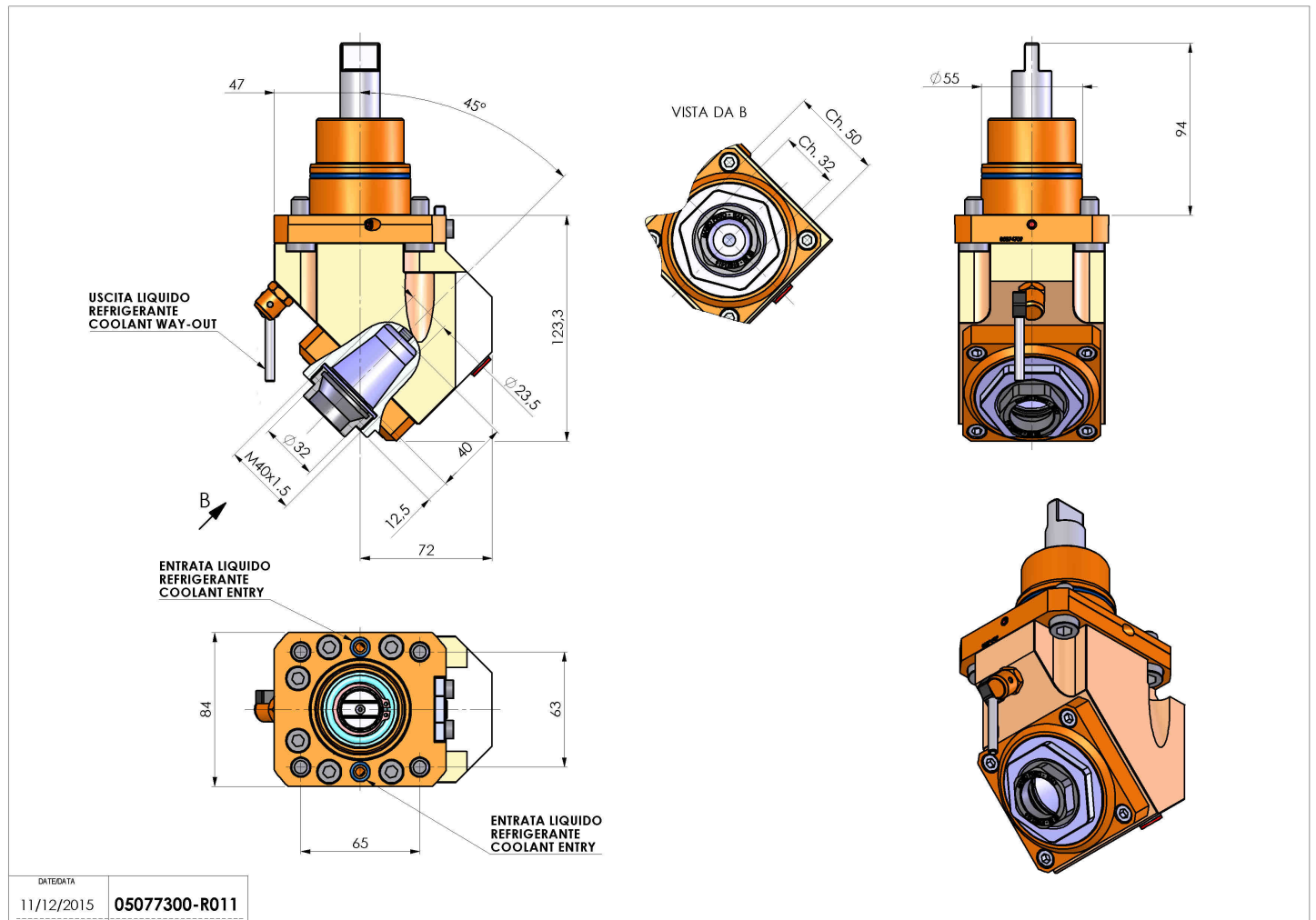


05077300 - LT-A45 D55 ER32F LR2:1H104BI

Type	LT-A-(a) Tool holder with fix angle (alpha)
Mounting	CYLINDRICAL SHANK 55
Tool output	Collet nut ER 32 F - internal nut
Coolant	External coolant
Direction of rotation	r1 r2
Max speed [rpm]	in 6000 / out 3000
Max torque [Nm]	in 40 / out 80
Ratio	2:1
H [mm]	104
H1 [mm]	123
Accessories	N.A.
Notes	N.A.
Mounting tips	Not suitable for every application, please check



Always check live tool dimensions on the turret



DATE/DATE	11/12/2015
PART NUMBER	05077300-R011

Subject to technical changes