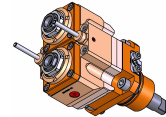
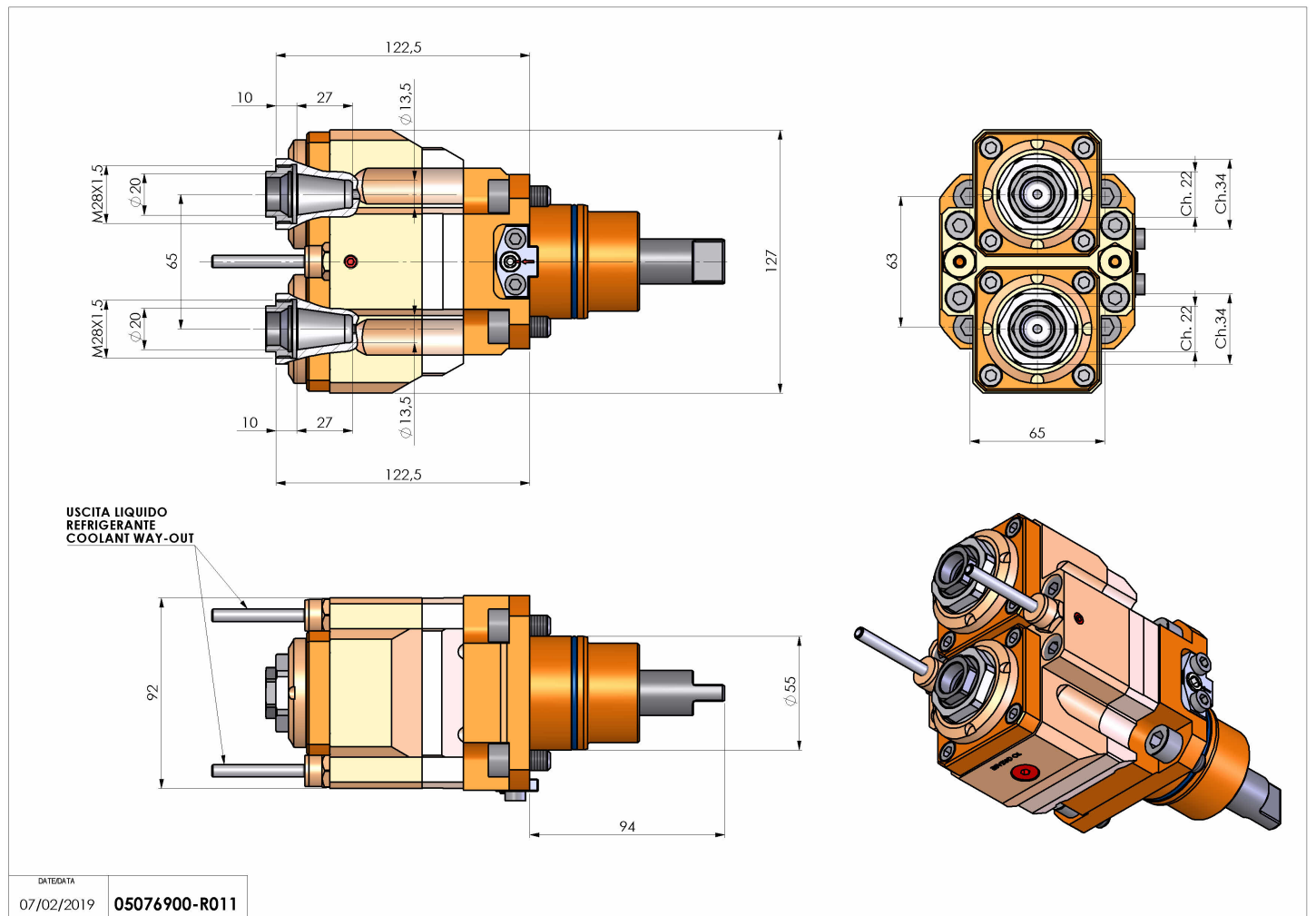


05076900 - LT-S2 D55 ER20F-20F 1:2 H122BI

Type	LT-S2 Tool holder double straight
Mounting	CYLINDRICAL SHANK 55
Tool output	Collet nut ER 20 F - internal nut
Coolant	External coolant
Direction of rotation	r1 ↻ r2 ↻ r3 ↻
Max speed [rpm]	in 6000 / out 12000
Max torque [Nm]	in 38 / out 16
Ratio	1:2
H [mm]	122
Accessories	N.A.
Notes	N.A.
Mounting tips	Not suitable for every application, please check



Always check live tool dimensions on the turret



Subject to technical changes