

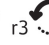
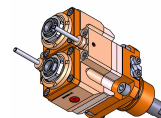
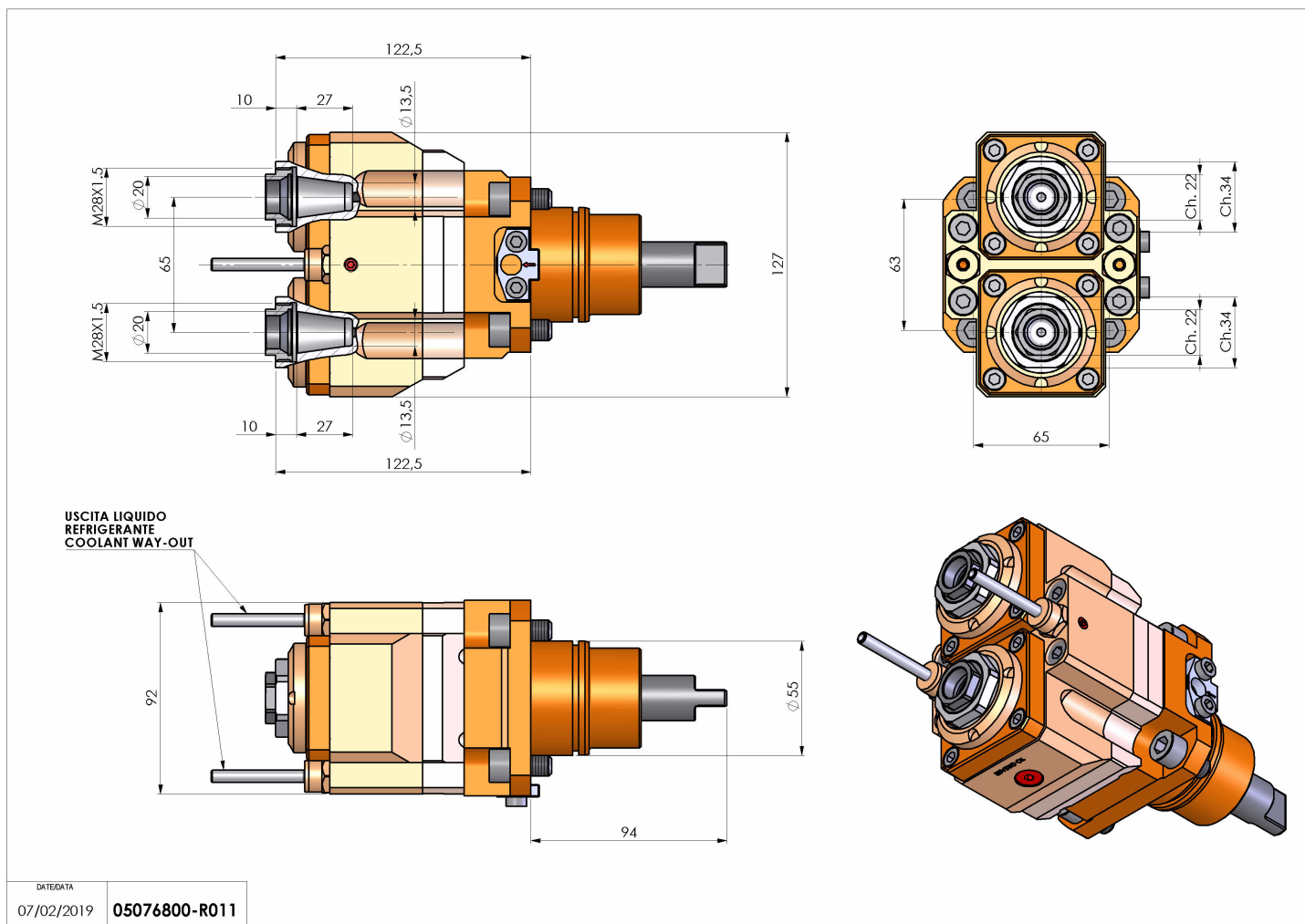


**05076800 - LT-S2 D55 ER20F-20F 1:1 H122BI**

<b>Type</b>	LT-S2 Tool holder double straight
<b>Mounting</b>	CYLINDRICAL SHANK 55
<b>Tool output</b>	Collet nut ER 20 F - internal nut
<b>Coolant</b>	External coolant
<b>Direction of rotation</b>	r1  r2  r3 
<b>Max speed [rpm]</b>	6000
<b>Max torque [Nm]</b>	38
<b>Ratio</b>	1:1
<b>H [mm]</b>	122
<b>Accessories</b>	N.A.
<b>Notes</b>	N.A.
<b>Mounting tips</b>	Not suitable for every application, please check



Always check live tool dimensions on the turret



Subject to technical changes