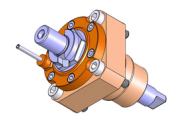
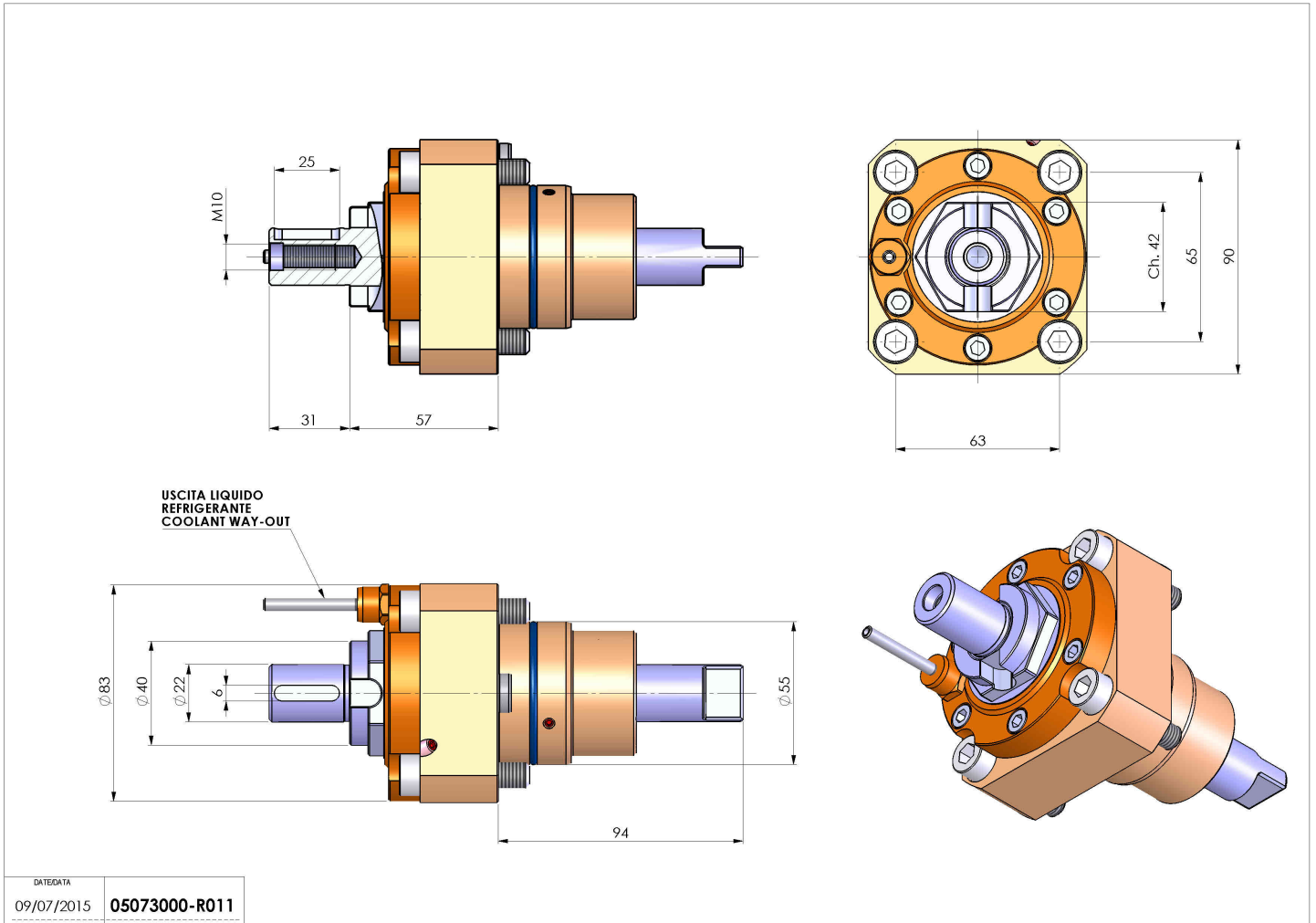


## 05073000 - LT-S D55 DIN138-22 H57 BI

|                              |                                                  |
|------------------------------|--------------------------------------------------|
| <b>Type</b>                  | LT-S<br>Tool holder straight                     |
| <b>Mounting</b>              | CYLINDRICAL SHANK 55                             |
| <b>Tool output</b>           | Shell-Mill DIN138 22                             |
| <b>Coolant</b>               | External coolant                                 |
| <b>Direction of rotation</b> | r1  r2                                           |
| <b>Max speed [rpm]</b>       | 6000                                             |
| <b>Max torque [Nm]</b>       | 63                                               |
| <b>Ratio</b>                 | 1:1                                              |
| <b>H [mm]</b>                | 57                                               |
| <b>Accessories</b>           |                                                  |
| <b>Notes</b>                 | N.A.                                             |
| <b>Mounting tips</b>         | Not suitable for every application, please check |



Always check live tool dimensions on the turret



DATE/DATE: 09/07/2015 **05073000-R011**

**Subject to technical changes**