

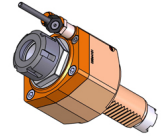


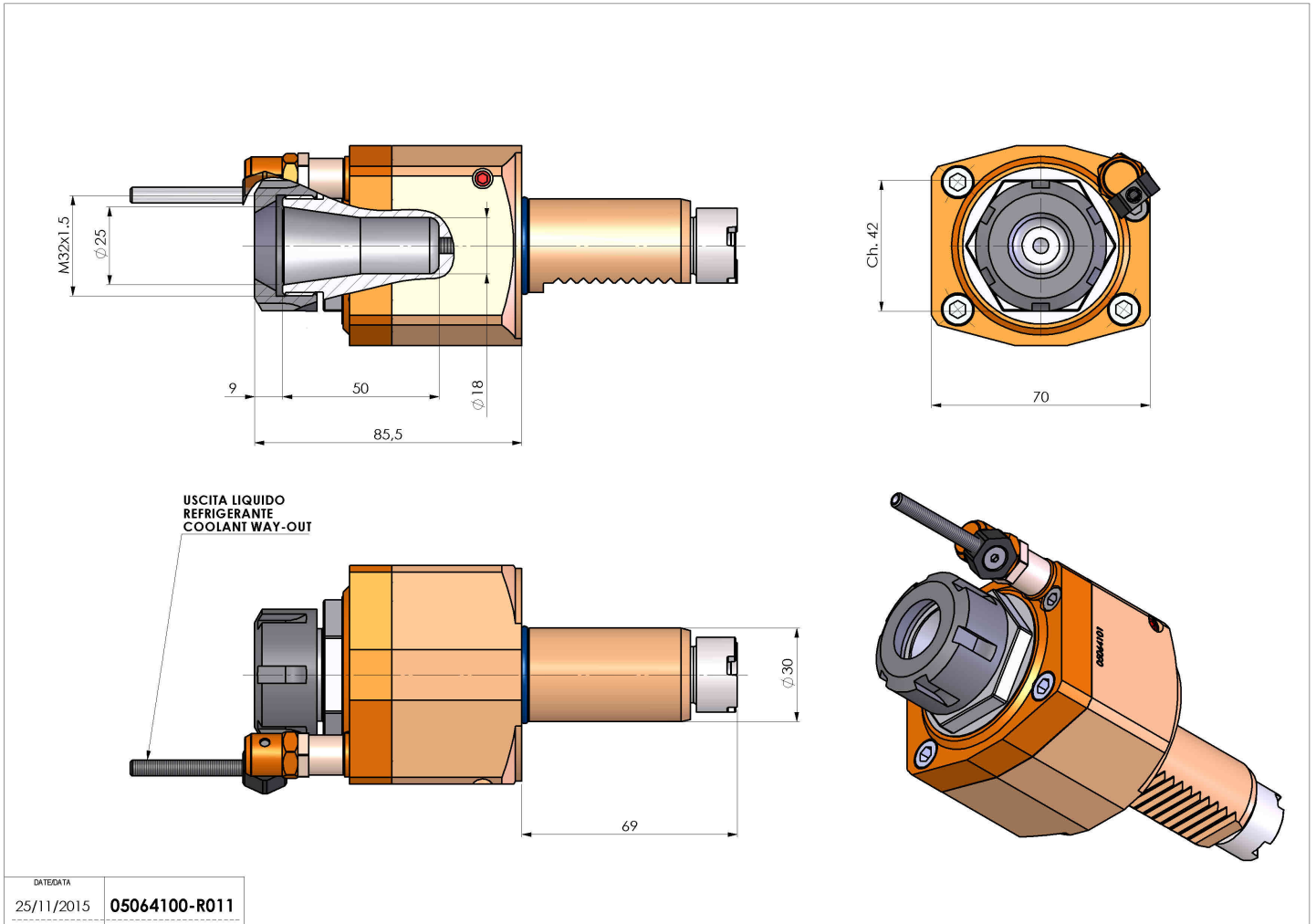
05064100 - LT-S VDI30 ER25 H86 OK

| | |
|------------------------------|---|
| Type | LT-S Tool holder straight |
| Mounting | VDI 30 |
| Tool output | Collet nut ER 25 |
| Coolant | External coolant |
| Direction of rotation | r1  r2  |
| Max speed [rpm] | 6000 |
| Max torque [Nm] | 40 |
| Ratio | 1:1 |
| H [mm] | 86 |
| Accessories | |
| Notes | N.A. |
| Mounting tips | Not suitable for every application, please check |



ATTENZIONE: VERIFICARE L'ORIENTAMENTO DELLA DENTATURA VDI

Always check live tool dimensions on the turret



| | |
|------------|---------------|
| DATE/DATE | 05064100-R011 |
| 25/11/2015 | |

Subject to technical changes