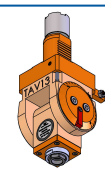


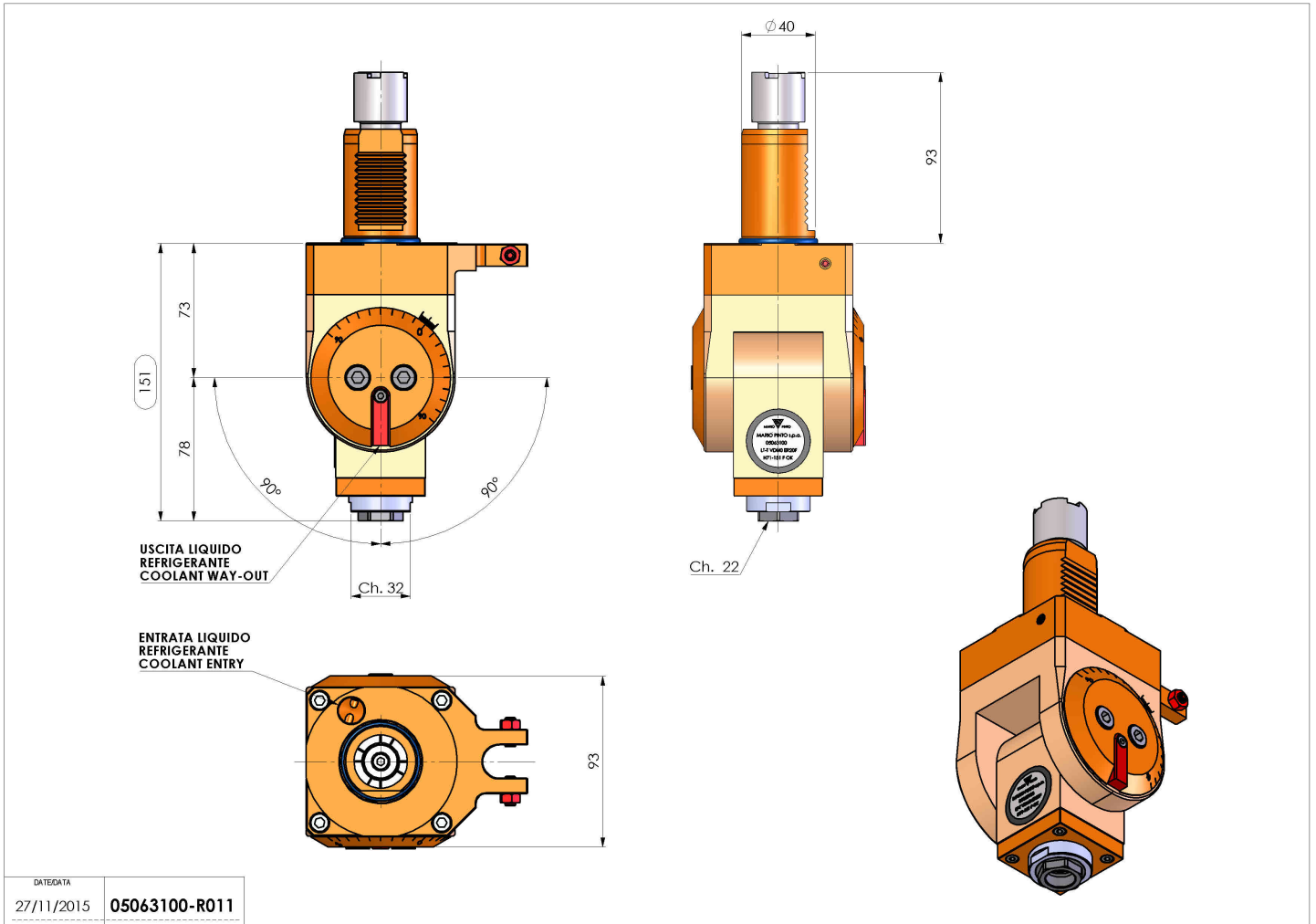
05063100 - LT-T VDI40 ER20F H71-151 F OK

| | |
|------------------------------|--|
| Type | LT-T Tool holder tiltable |
| Mounting | VDI 40 |
| Tool output | Collet nut ER 20 F - internal nut |
| Coolant | External coolant |
| Direction of rotation | r1 r2 |
| Max speed [rpm] | 6000 |
| Max torque [Nm] | 20 |
| Ratio | 1:1 |
| H [mm] | 71-151 |
| Accessories | N.A. |
| Notes | N.A. |
| Mounting tips | Not suitable for every application, please check |



ATTENZIONE: VERIFICARE L'ORIENTAMENTO DELLA DENTATURA VDI

Always check live tool dimensions on the turret



DATE/DATE: 27/11/2015
05063100-R011

Subject to technical changes