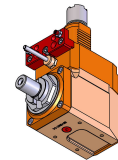


# 05062200 - LT-A VDI40 DIN138-22 R H90 OK

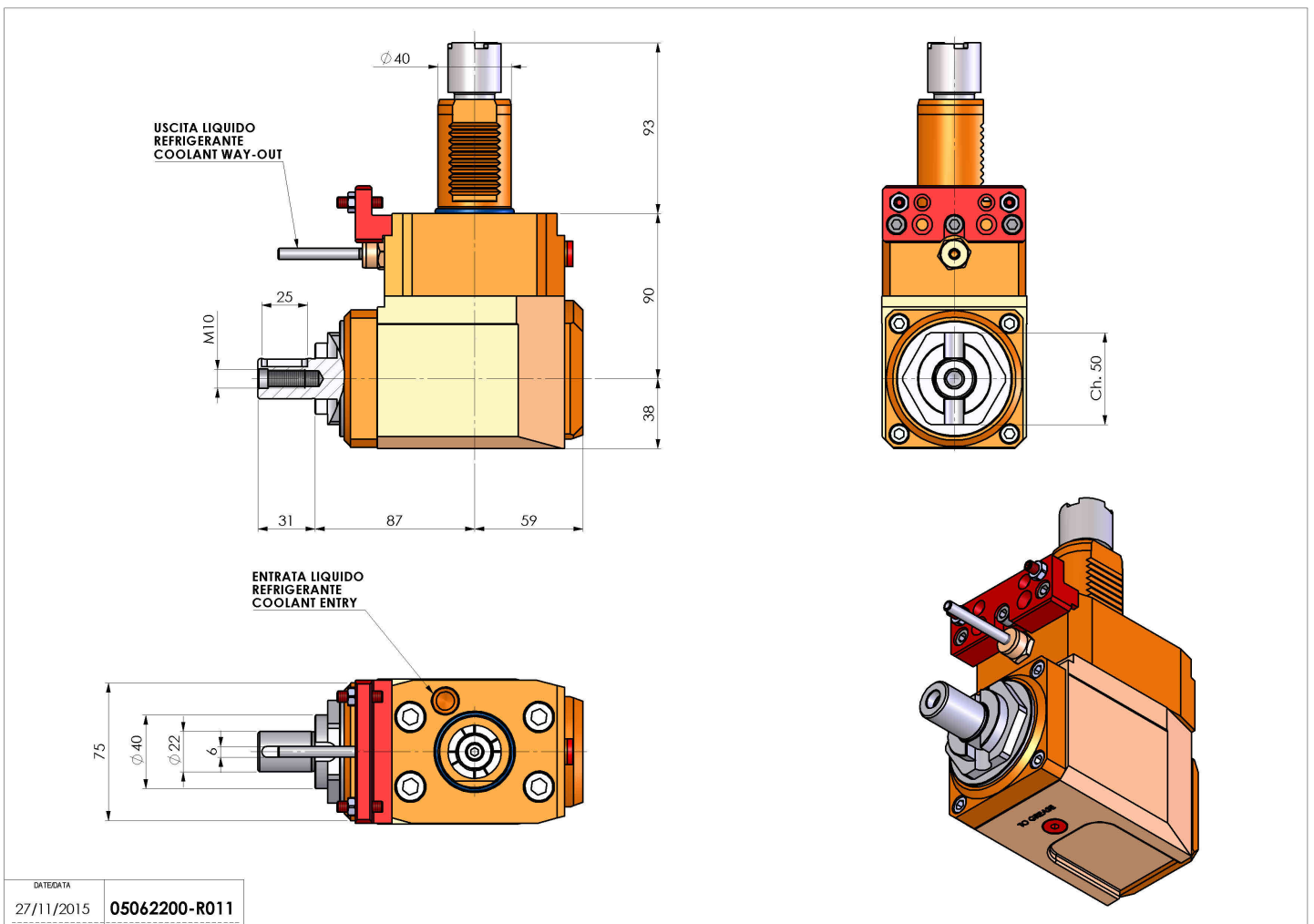
|                       |                               |
|-----------------------|-------------------------------|
| Type                  | LT-A<br>Tool holder angle 90° |
| Mounting              | VDI 40                        |
| Tool output           | Shell-Mill DIN138 22          |
| Coolant               | External coolant              |
| Direction of rotation | r1 ↻ r2 ↻                     |
| Max speed [rpm]       | 6000                          |
| Max torque [Nm]       | 63                            |
| Ratio                 | 1:1                           |
| H [mm]                | 90                            |
| H1 [mm]               | 38                            |
| Accessories           | N.A.                          |
| Notes                 | N.A.                          |



**Mounting tips** Not suitable for every application, please check

**ATTENZIONE: VERIFICARE L'ORIENTAMENTO DELLA DENTATURA VDI**

Always check live tool dimensions on the turret



|            |               |
|------------|---------------|
| DATE/DATE  | 05062200-R011 |
| 27/11/2015 |               |

Subject to technical changes