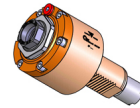


05060300 - LT-S VDI40 ER32F RF H74 OK

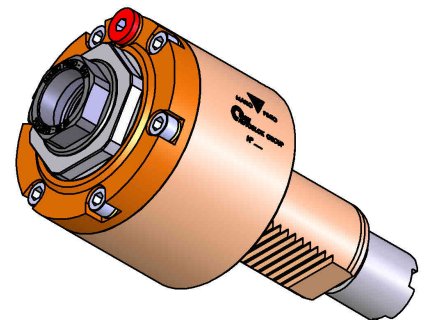
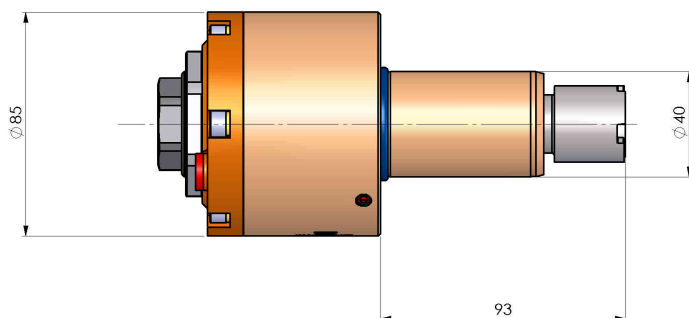
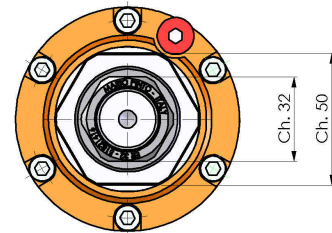
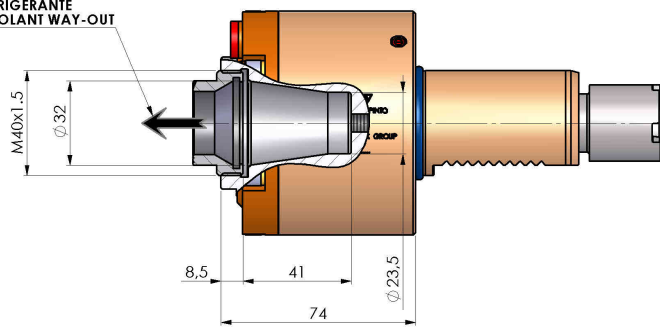
Type	LT-S Tool holder straight
Mounting	VDI 40
Tool output	Collet nut ER 32 F - internal nut
Coolant	Internal coolant
Direction of rotation	r1 ↻ r2 ↻
Max speed [rpm]	6000
Max torque [Nm]	63
Ratio	1:1
H [mm]	74
Accessories	
Notes	N.A.
Mounting tips	Not suitable for every application, please check

ATTENZIONE: VERIFICARE L'ORIENTAMENTO DELLA DENTATURA VDI

Always check live tool dimensions on the turret



USCITA LIQUIDO
REFRIGERANTE
COOLANT WAY-OUT



DATE/DATE
26/11/2015 05060300-R011

Subject to technical changes