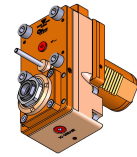


05059700 - LT-S VDI50ER20F OFS78 L 1:3H89

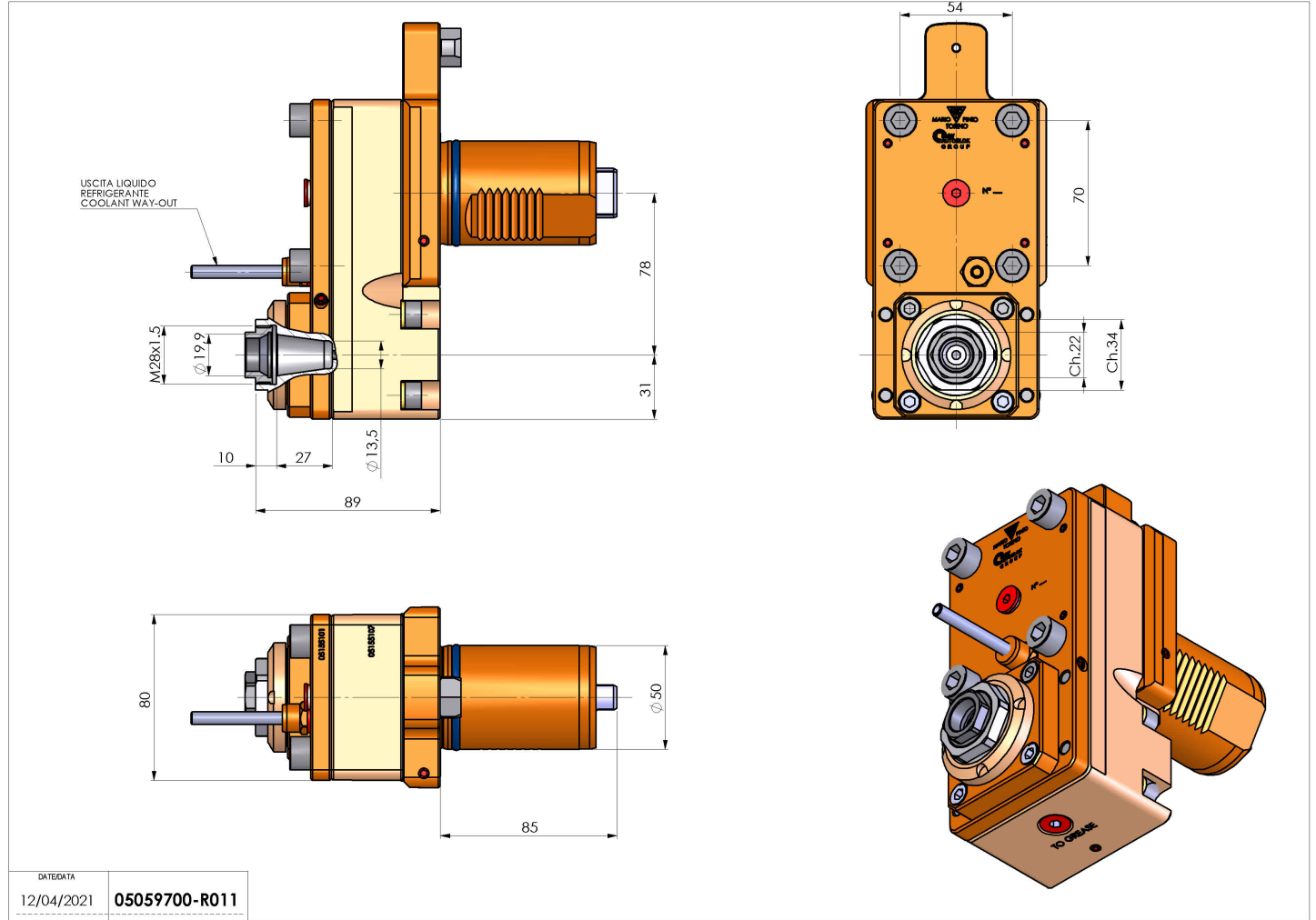
| | |
|------------------------------|---|
| Type | LT-S OFS Tool holder straight offset |
| Mounting | VDI 50 |
| Tool output | Collet nut ER 20 F - internal nut |
| Coolant | External coolant |
| Offset [mm] | 47,25 |
| Direction of rotation | r1 r2 |
| Max speed [rpm] | in 5000 / out 15000 |
| Max torque [Nm] | in 50 / out 14 |
| Ratio | 1:3 |
| H [mm] | 91,5 |
| Accessories | N.A. |
| Notes | N.A. |



Mounting tips Not suitable for every application, please check

ATTENZIONE: VERIFICARE L'ORIENTAMENTO DELLA DENTATURA VDI

Always check live tool dimensions on the turret



| | |
|----------|---------------|
| DATE/ATA | 05059700-R011 |
|----------|---------------|

Subject to technical changes