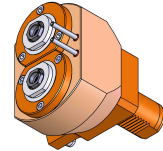


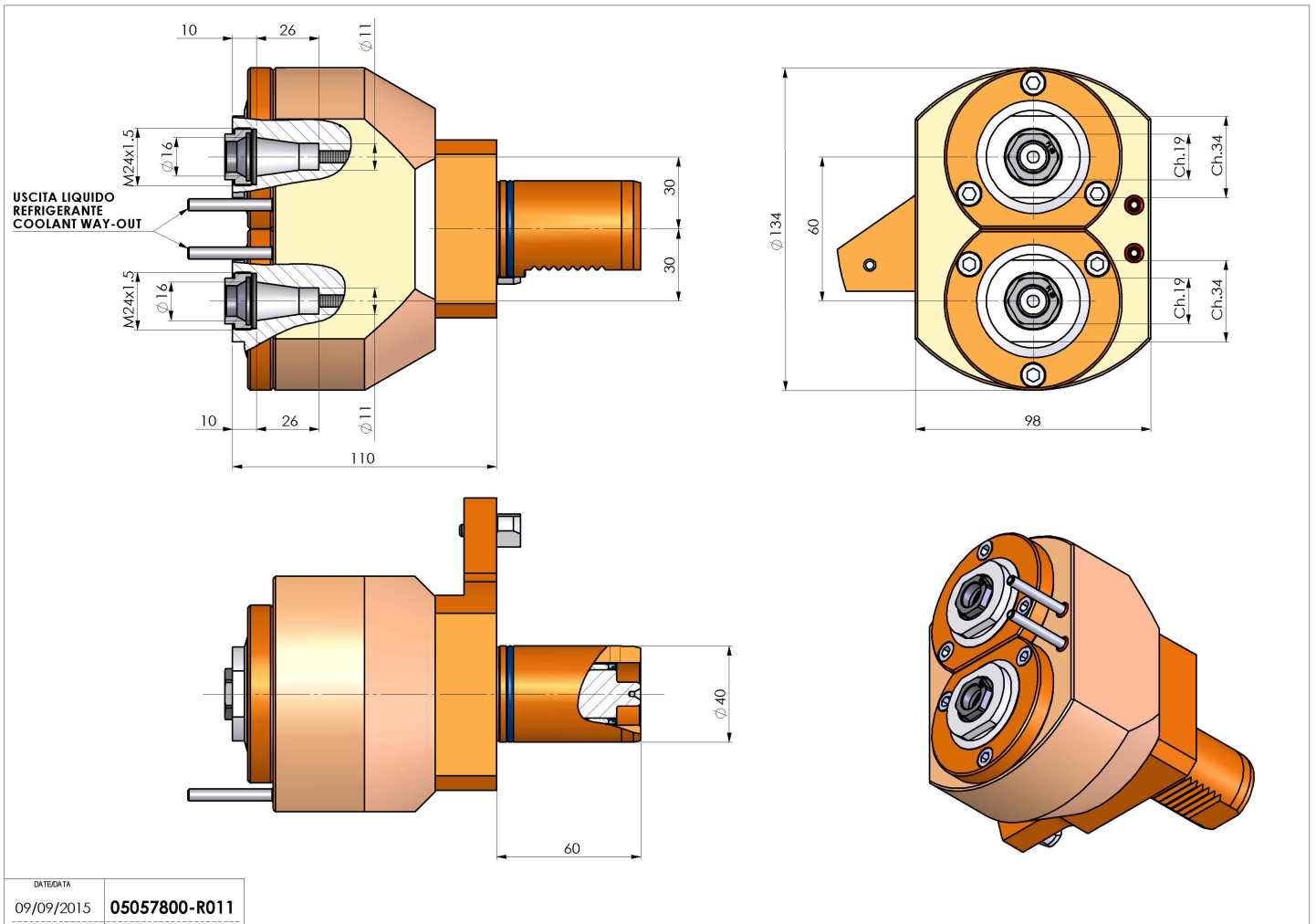
05057800 - LT-S2 VDI40 ER16F-16F H110 MZ

Type	LT-S2 Tool holder double straight
Mounting	VDI 40
Tool output	Collet nut ER 16 F - internal nut
Coolant	External coolant
Direction of rotation	r1 ↻ r2 ↻ r3 ↻
Max speed [rpm]	6000
Max torque [Nm]	18
Ratio	1:1
H [mm]	110
Accessories	N.A.
Notes	N.A.
Mounting tips	Not suitable for every application, please check



ATTENZIONE: VERIFICARE L'ORIENTAMENTO DELLA DENTATURA VDI

Always check live tool dimensions on the turret



DATE/DATE: 09/09/2015
05057800-R011

Subject to technical changes