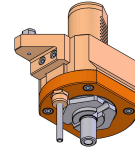


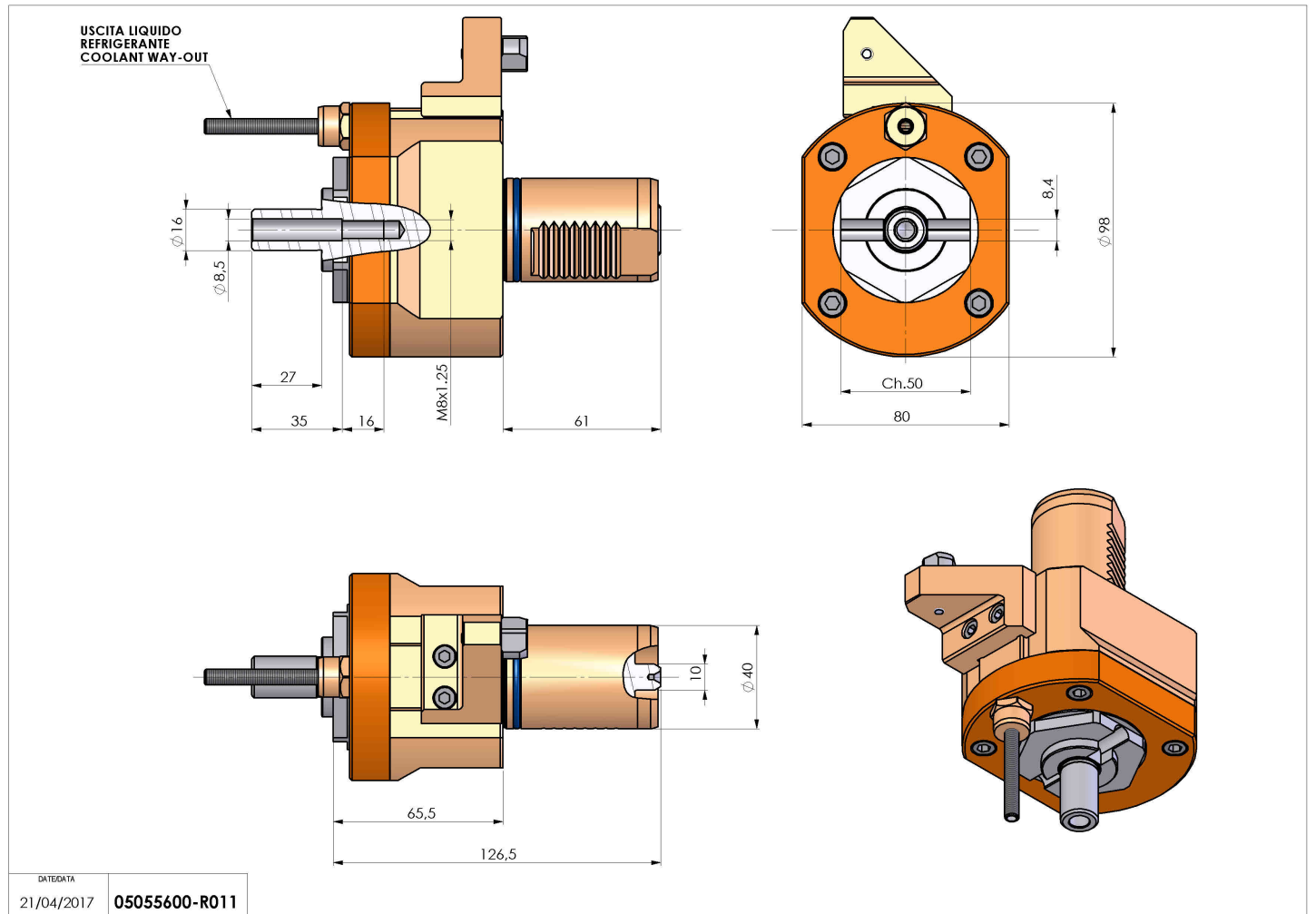
## 05055600 - LT-S VDI40 DIN16 H70 G60 MZ

<b>Type</b>	LT-S Tool holder straight
<b>Mounting</b>	VDI 40
<b>Tool output</b>	Shell-Mill DIN138 16
<b>Coolant</b>	External coolant
<b>Direction of rotation</b>	r1 ↻ r2 ↻
<b>Max speed [rpm]</b>	6000
<b>Max torque [Nm]</b>	63
<b>Ratio</b>	1:1
<b>H [mm]</b>	70
<b>Accessories</b>	
<b>Notes</b>	N.A.
<b>Mounting tips</b>	Not suitable for every application, please check



**ATTENZIONE: VERIFICARE L'ORIENTAMENTO DELLA DENTATURA VDI**

Always check live tool dimensions on the turret



DATE/DATE  
21/04/2017 05055600-R011

Subject to technical changes