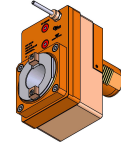


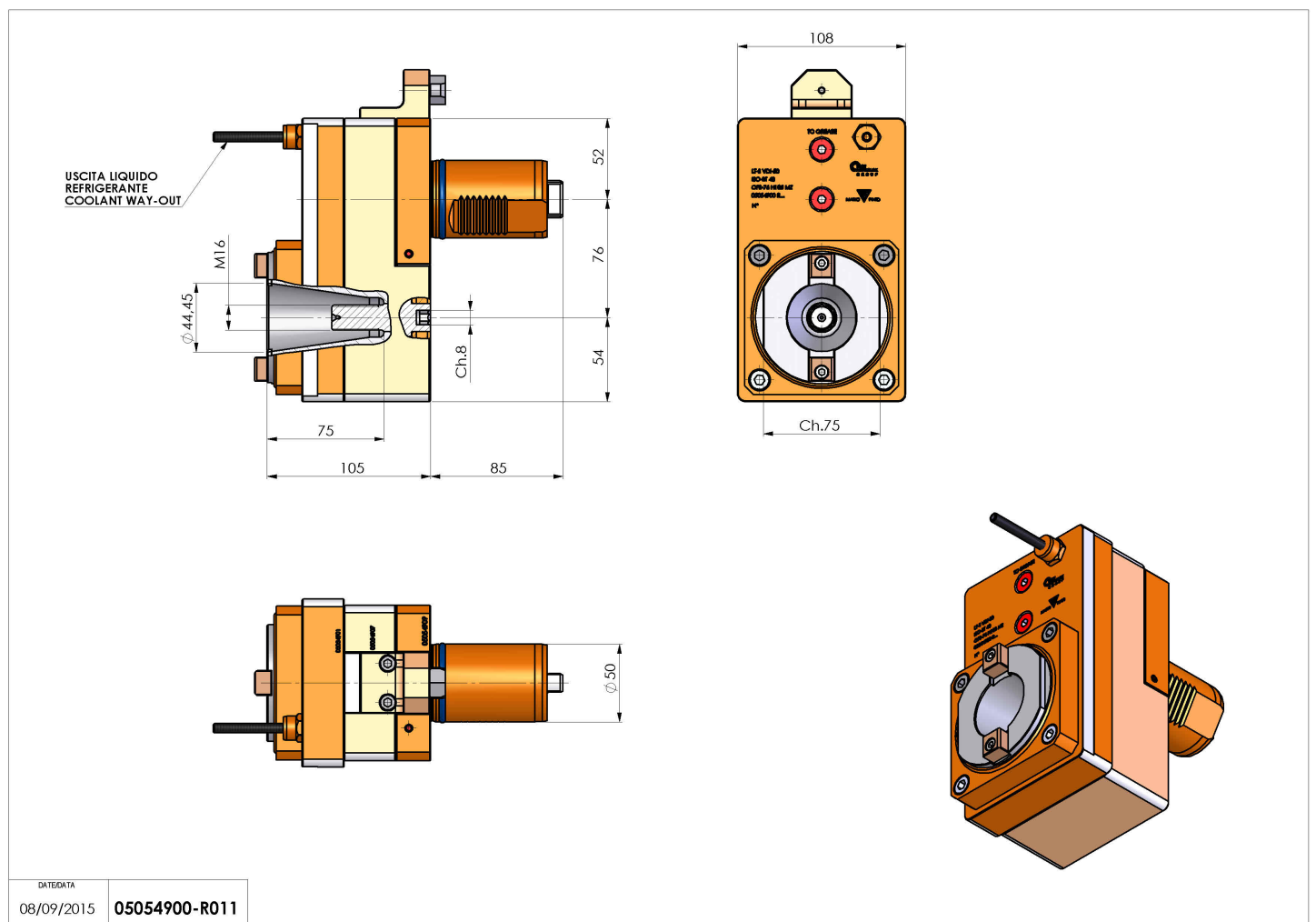
## 05054900 - LT-S VDI50 ISOBT40 OFS76H105MZ

Type	LT-S OFS Tool holder straight offset
Mounting	VDI 50
Tool output	Quick Change ISO-BT40
Coolant	External coolant
Offset [mm]	76
Direction of rotation	r1 ↻ r2 ↻
Max speed [rpm]	6000
Max torque [Nm]	180
Ratio	1:1
H [mm]	105
Accessories	N.A.
Notes	N.A.
Mounting tips	Not suitable for every application, please check



**ATTENZIONE: VERIFICARE L'ORIENTAMENTO DELLA DENTATURA VDI**

Always check live tool dimensions on the turret



DATE/ATA	08/09/2015	05054900-R011
----------	------------	---------------

Subject to technical changes