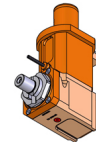


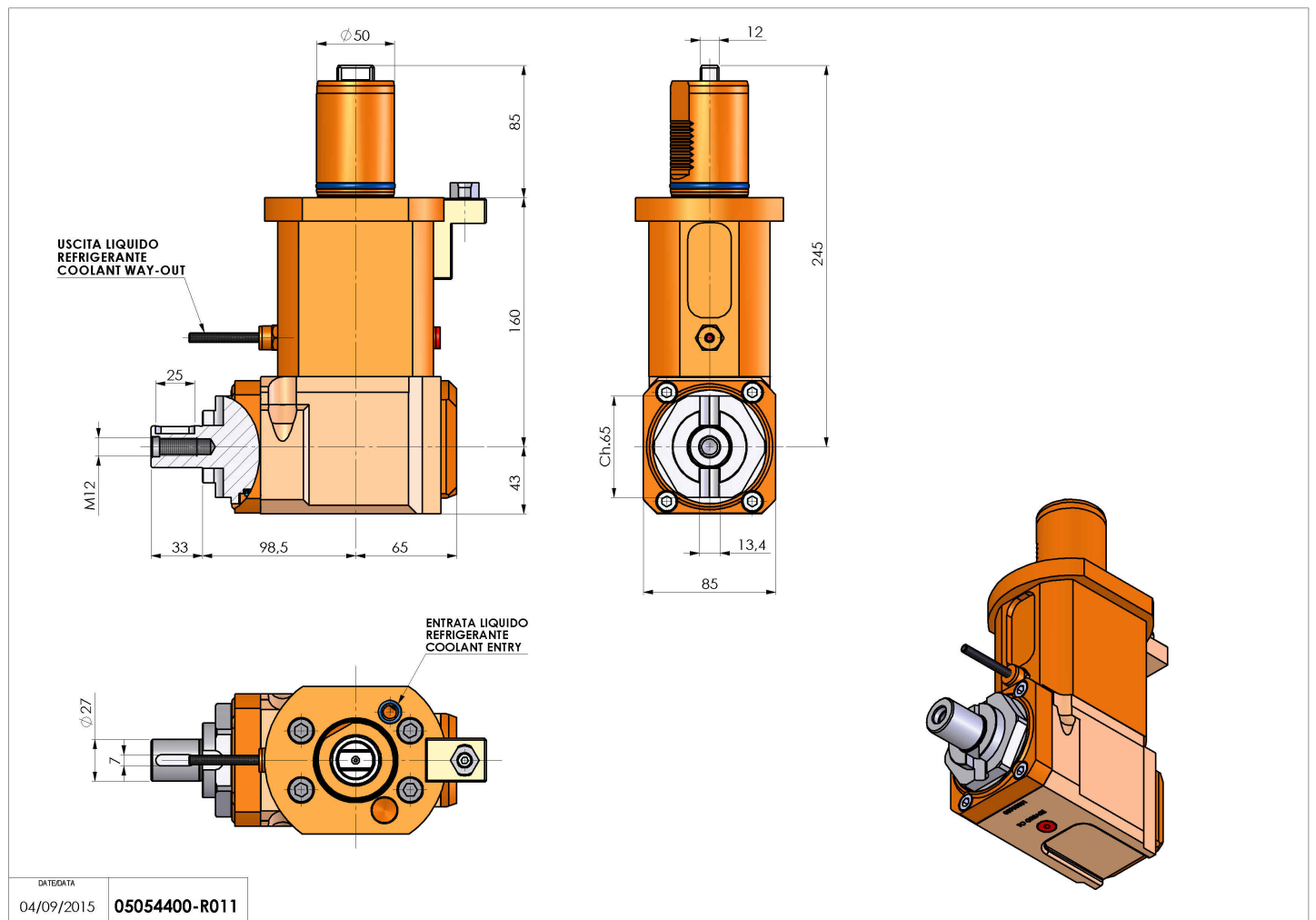
05054400 - LT-A VDI50 DIN138-27 L H160 MZ

| | |
|-----------------------|--|
| Type | LT-A Tool holder angle 90° |
| Mounting | VDI 50 |
| Tool output | Shell-Mill DIN138 27 |
| Coolant | External coolant |
| Direction of rotation | r1 ↻ r2 ↻ |
| Max speed [rpm] | 6000 |
| Max torque [Nm] | 63 |
| Ratio | 1:1 |
| H [mm] | 160 |
| H1 [mm] | 43 |
| Accessories | N.A. |
| Notes | N.A. |
| Mounting tips | Not suitable for every application, please check |



ATTENZIONE: VERIFICARE L'ORIENTAMENTO DELLA DENTATURA VDI

Always check live tool dimensions on the turret



DATE/ATA
04/09/2015 05054400-R011

Subject to technical changes