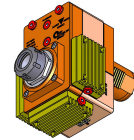


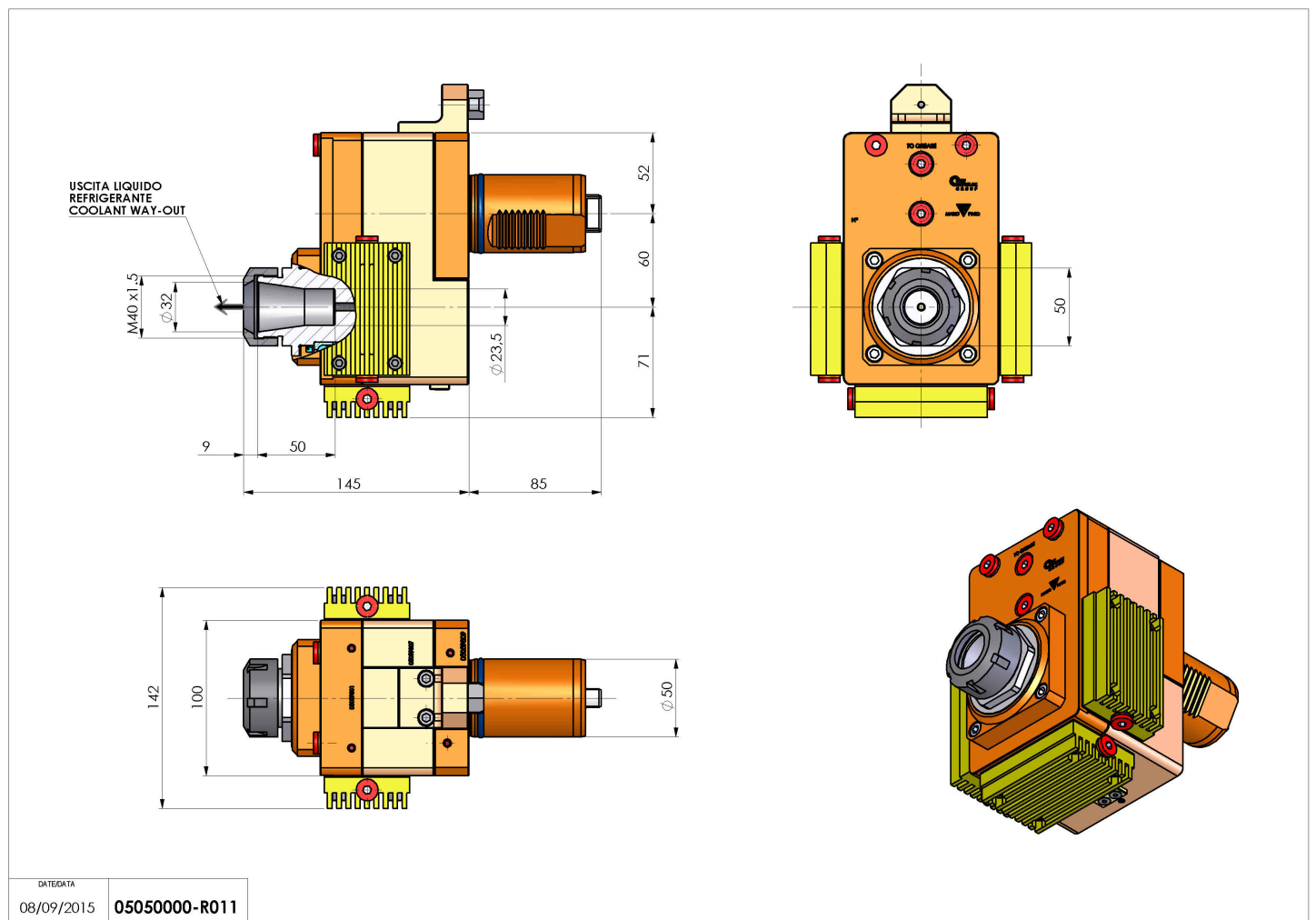
05050000 - LT-S VDI50 ER32 OFS60 1:2KR RF

Type	LT-S OFS Tool holder straight offset
Mounting	VDI 50
Tool output	Collet nut ER 32
Coolant	With coolant kit
Offset [mm]	60
Direction of rotation	r1 ↻ r2 ↻
Max speed [rpm]	in 6000 / out 12000
Max torque [Nm]	in 160 / out 80
Ratio	1:2
H [mm]	145
Max pressure [bar]	20
Accessories	N.A.
Notes	N.A.
Mounting tips	Not suitable for every application, please check



ATTENZIONE: VERIFICARE L'ORIENTAMENTO DELLA DENTATURA VDI

Always check live tool dimensions on the turret



DATE/GATE
08/09/2015 05050000-R011

Subject to technical changes