
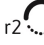
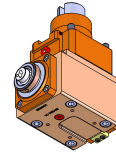
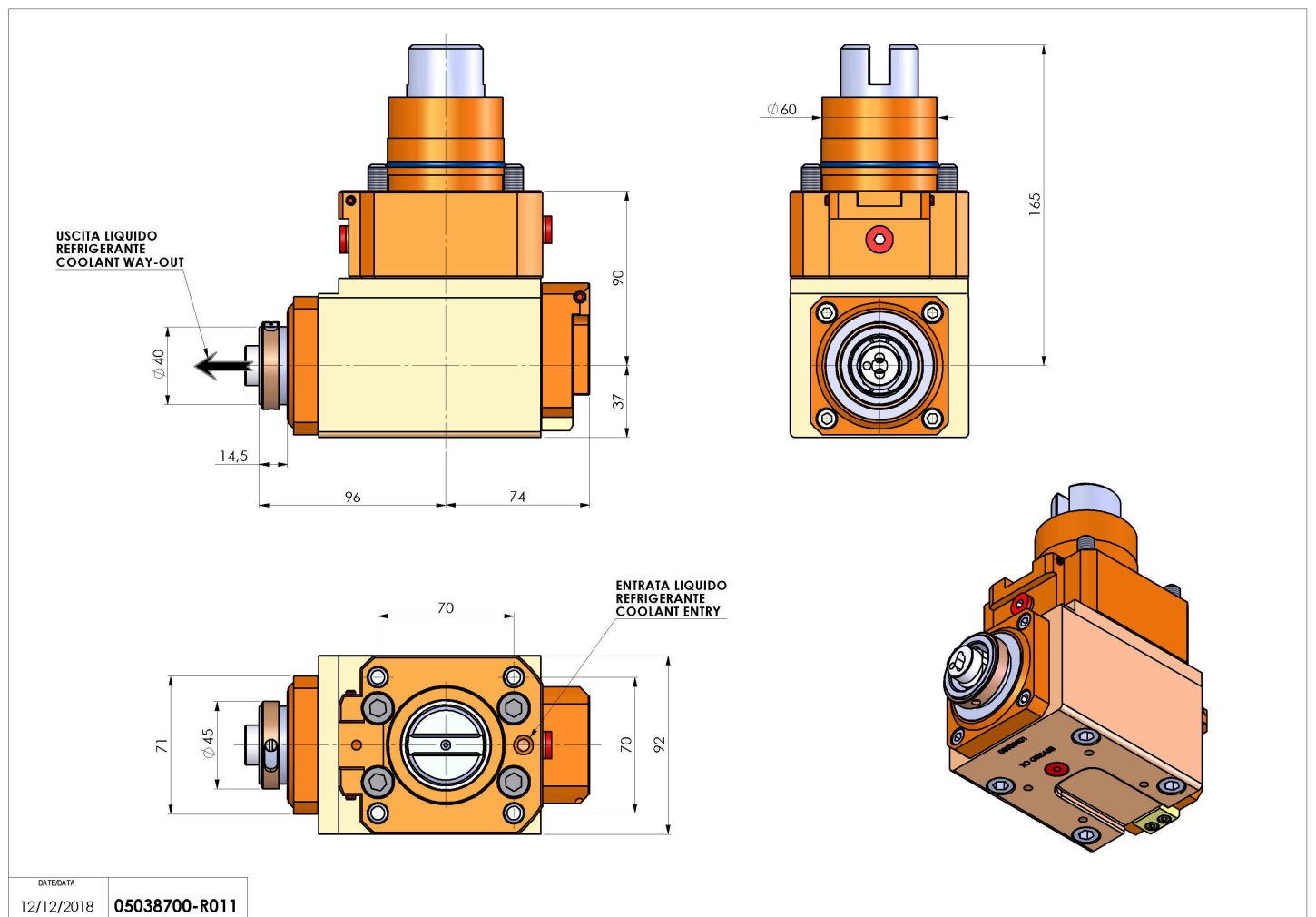


## 05038700 - LT-A D60 HSK40 L HRF H90

|                              |                                                                                                                                                                           |
|------------------------------|---------------------------------------------------------------------------------------------------------------------------------------------------------------------------|
| <b>Type</b>                  | LT-A<br>Tool holder angle 90°                                                                                                                                             |
| <b>Mounting</b>              | CYLINDRICAL SHANK 60                                                                                                                                                      |
| <b>Tool output</b>           | Quick Change HSK40                                                                                                                                                        |
| <b>Coolant</b>               | HP Internal coolant                                                                                                                                                       |
| <b>Direction of rotation</b> | r1  r2  |
| <b>Max speed [rpm]</b>       | 6000                                                                                                                                                                      |
| <b>Max torque [Nm]</b>       | 63                                                                                                                                                                        |
| <b>Ratio</b>                 | 1:1                                                                                                                                                                       |
| <b>H [mm]</b>                | 90                                                                                                                                                                        |
| <b>H1 [mm]</b>               | 37                                                                                                                                                                        |
| <b>Max pressure [bar]</b>    | 80                                                                                                                                                                        |
| <b>Accessories</b>           | N.A.                                                                                                                                                                      |
| <b>Notes</b>                 | N.A.                                                                                                                                                                      |
| <b>Mounting tips</b>         | Not suitable for every application, please check                                                                                                                          |



Always check live tool dimensions on the turret



DATE/DATE  
12/12/2018 05038700-R011

Subject to technical changes