
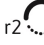
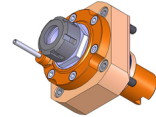
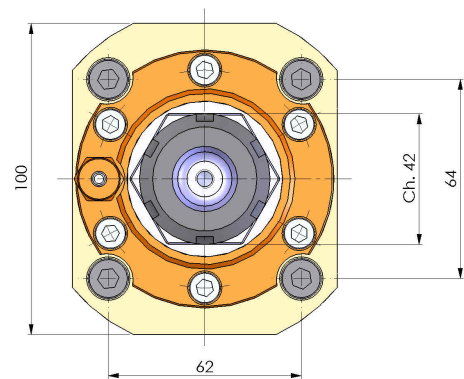
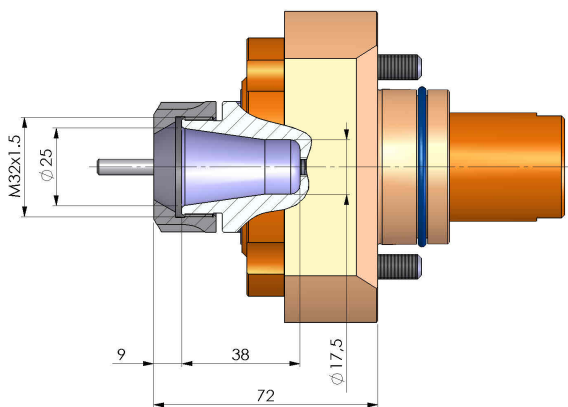


05037400 - LT-S D50 ER25 H72 TW

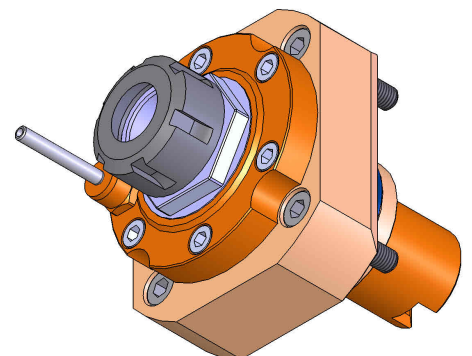
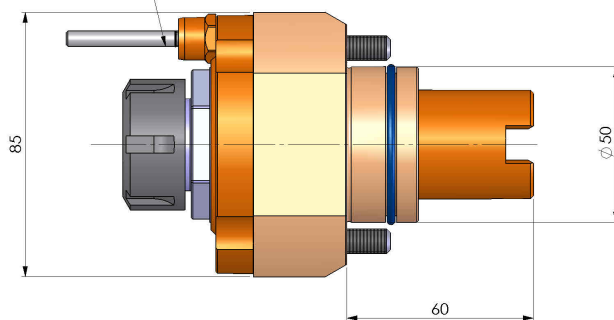
| | |
|------------------------------|---|
| Type | LT-S Tool holder straight |
| Mounting | CYLINDRICAL SHANK 50 |
| Tool output | Collet nut ER 25 |
| Coolant | External coolant |
| Direction of rotation | r1  r2  |
| Max speed [rpm] | 6000 |
| Max torque [Nm] | 63 |
| Ratio | 1:1 |
| H [mm] | 72 |
| Accessories | |
| Notes | N.A. |
| Mounting tips | Not suitable for every application, please check |



Always check live tool dimensions on the turret



USCITA LIQUIDO
REFRIGERANTE
COOLANT WAY-OUT



DATE/DATA
09/07/2015 05037400-R011

Subject to technical changes