

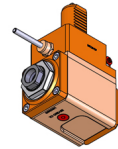


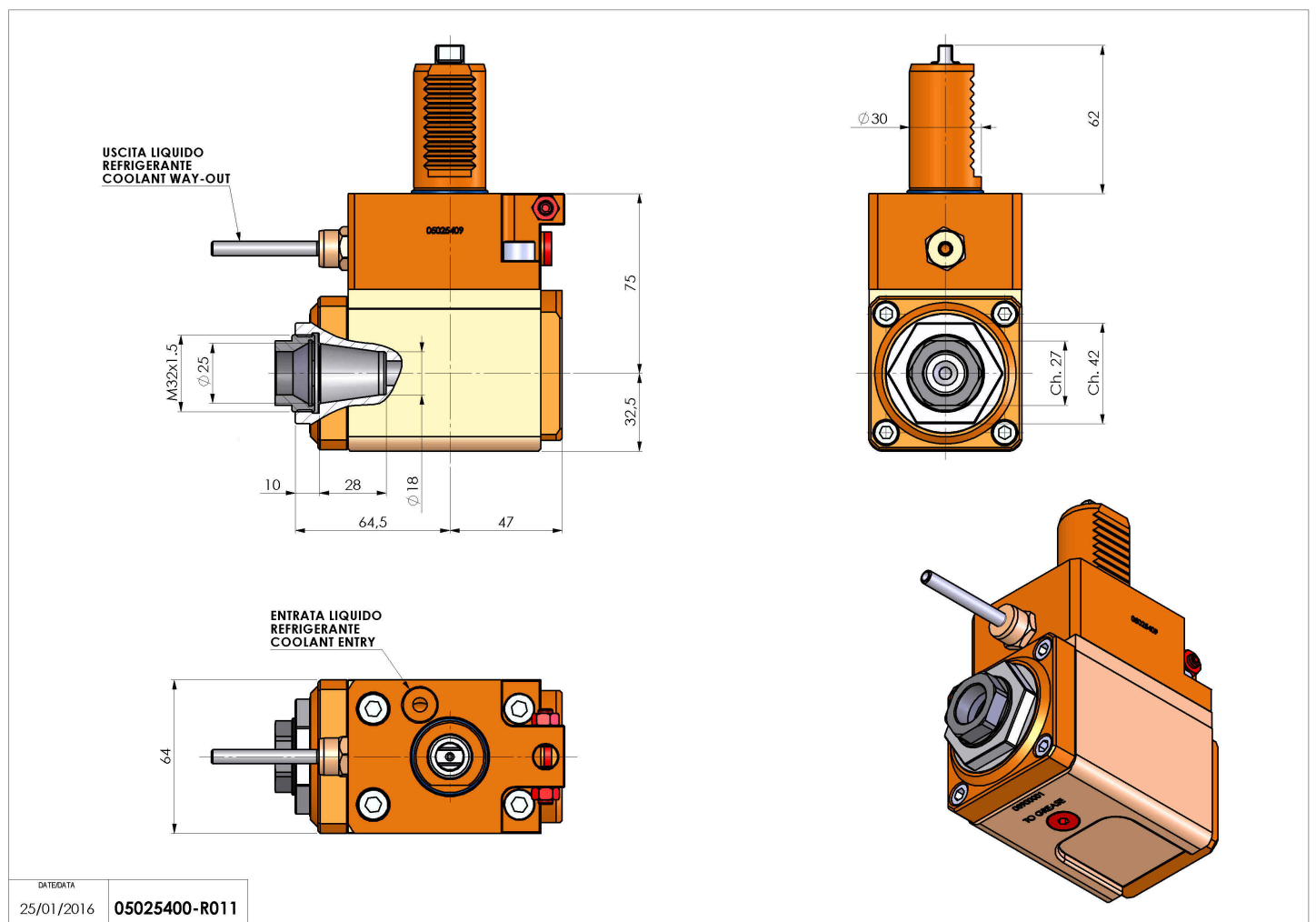
05025400 - LT-A VDI30 ER25F R H75 TZ

| | |
|-----------------------|---|
| Type | LT-A Tool holder angle 90° |
| Mounting | VDI 30 |
| Tool output | Collet nut ER 25 F - internal nut |
| Coolant | External coolant |
| Direction of rotation | r1  r2  |
| Max speed [rpm] | 6000 |
| Max torque [Nm] | 30 |
| Ratio | 1:1 |
| H [mm] | 75 |
| H1 [mm] | 32,5 |
| Accessories | N.A. |
| Notes | N.A. |
| Mounting tips | Not suitable for every application, please check |



ATTENZIONE: VERIFICARE L'ORIENTAMENTO DELLA DENTATURA VDI

Always check live tool dimensions on the turret



| | |
|------------|---------------|
| DATE/ATA | 05025400-R011 |
| 25/01/2016 | |

Subject to technical changes