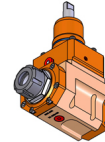
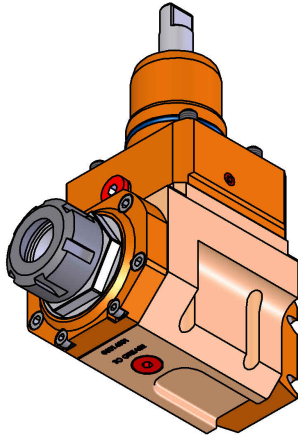
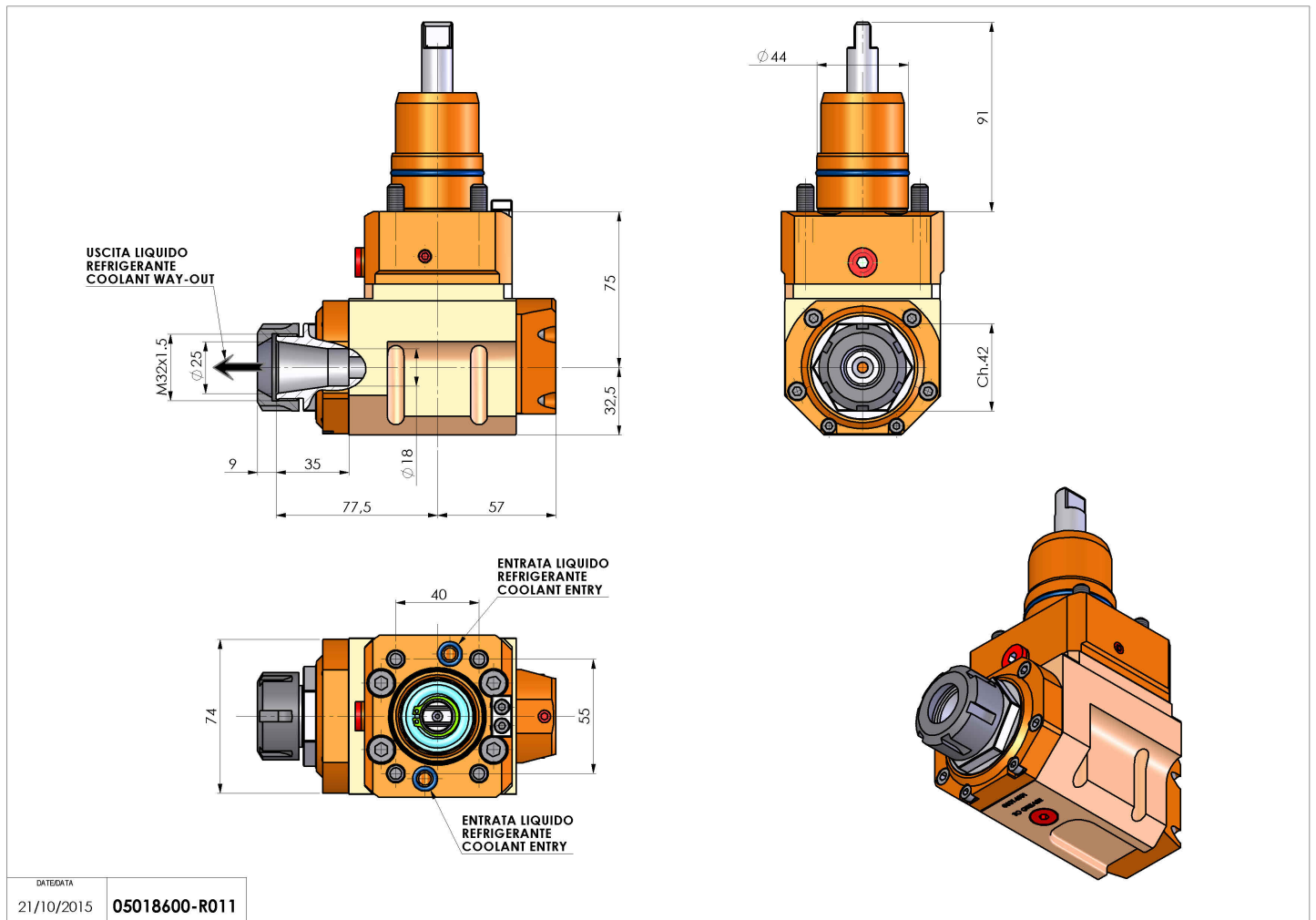


05018600 - LT-A D44 ER25 L-R RF H75 NK

| | |
|------------------------------|--|
| Type | LT-A Tool holder angle 90° |
| Mounting | CYLINDRICAL SHANK 44 |
| Tool output | Collet nut ER 25 F - internal nut |
| Coolant | Internal coolant |
| Direction of rotation | r1 ↻ r2 ↻ |
| Max speed [rpm] | 6000 |
| Max torque [Nm] | 30 |
| Ratio | 1:1 |
| H [mm] | 75 |
| H1 [mm] | 32,5 |
| Accessories | N.A. |
| Notes | N.A. |
| Mounting tips | Not suitable for every application, please check |



Always check live tool dimensions on the turret



| | |
|------------|---------------|
| DATE/DATE | 05018600-R011 |
| 21/10/2015 | |

Subject to technical changes