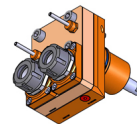
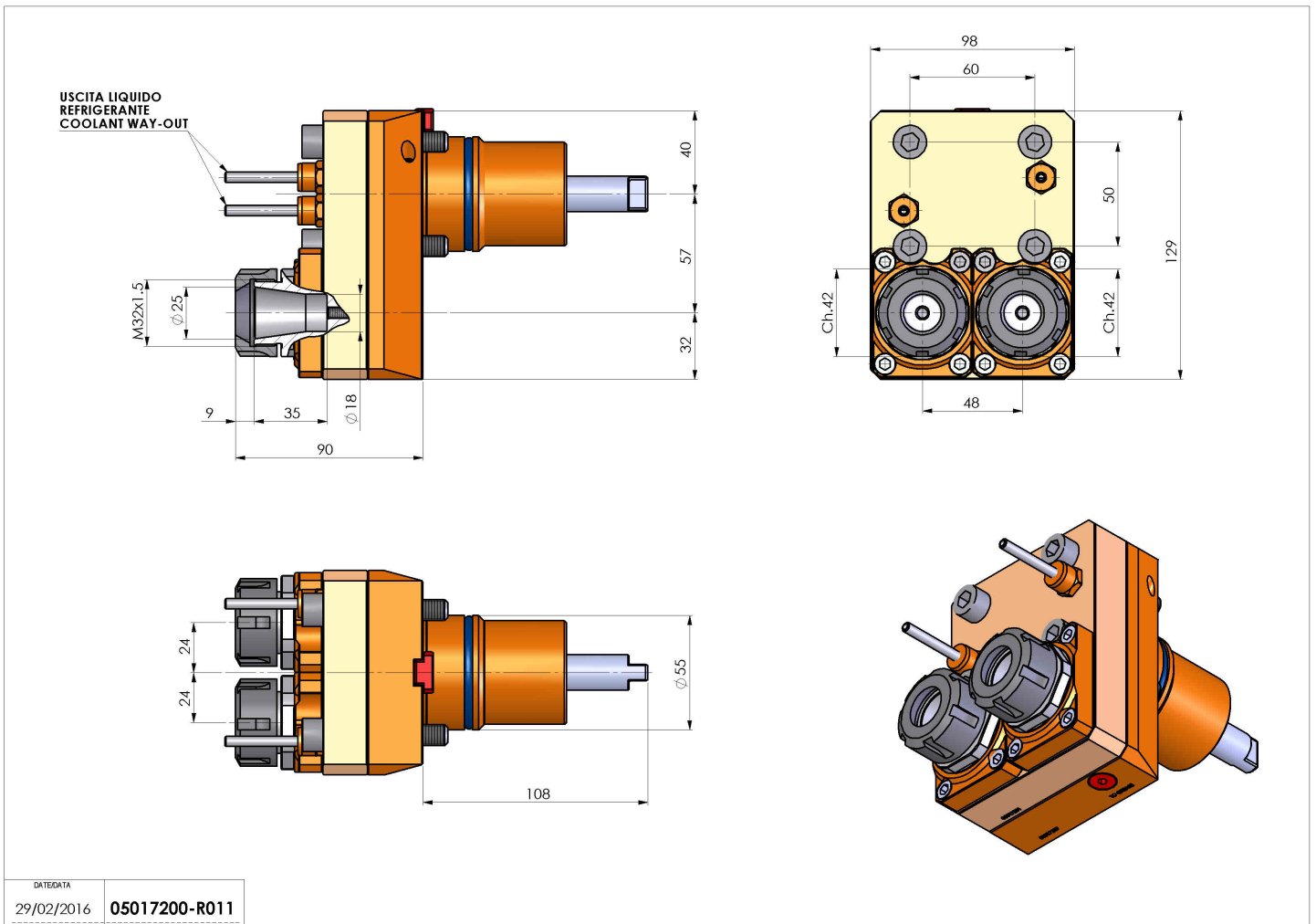


05017200 - LT-S2 D55 ER25 OFS-57 H90 NK

| | |
|------------------------------|--|
| Type | LT-S2 OFS Tool holder double straight offset |
| Mounting | CYLINDRICAL SHANK 55 |
| Tool output | Collet nut ER 25 |
| Coolant | External coolant |
| Offset [mm] | 57 |
| Direction of rotation | r1 ↻ r2 ↻ |
| Max speed [rpm] | 6000 |
| Max torque [Nm] | 40 |
| Ratio | 1:1 |
| H [mm] | 90 |
| Accessories | N.A. |
| Notes | N.A. |
| Mounting tips | Not suitable for every application, please check |



Always check live tool dimensions on the turret



Subject to technical changes