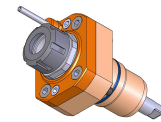
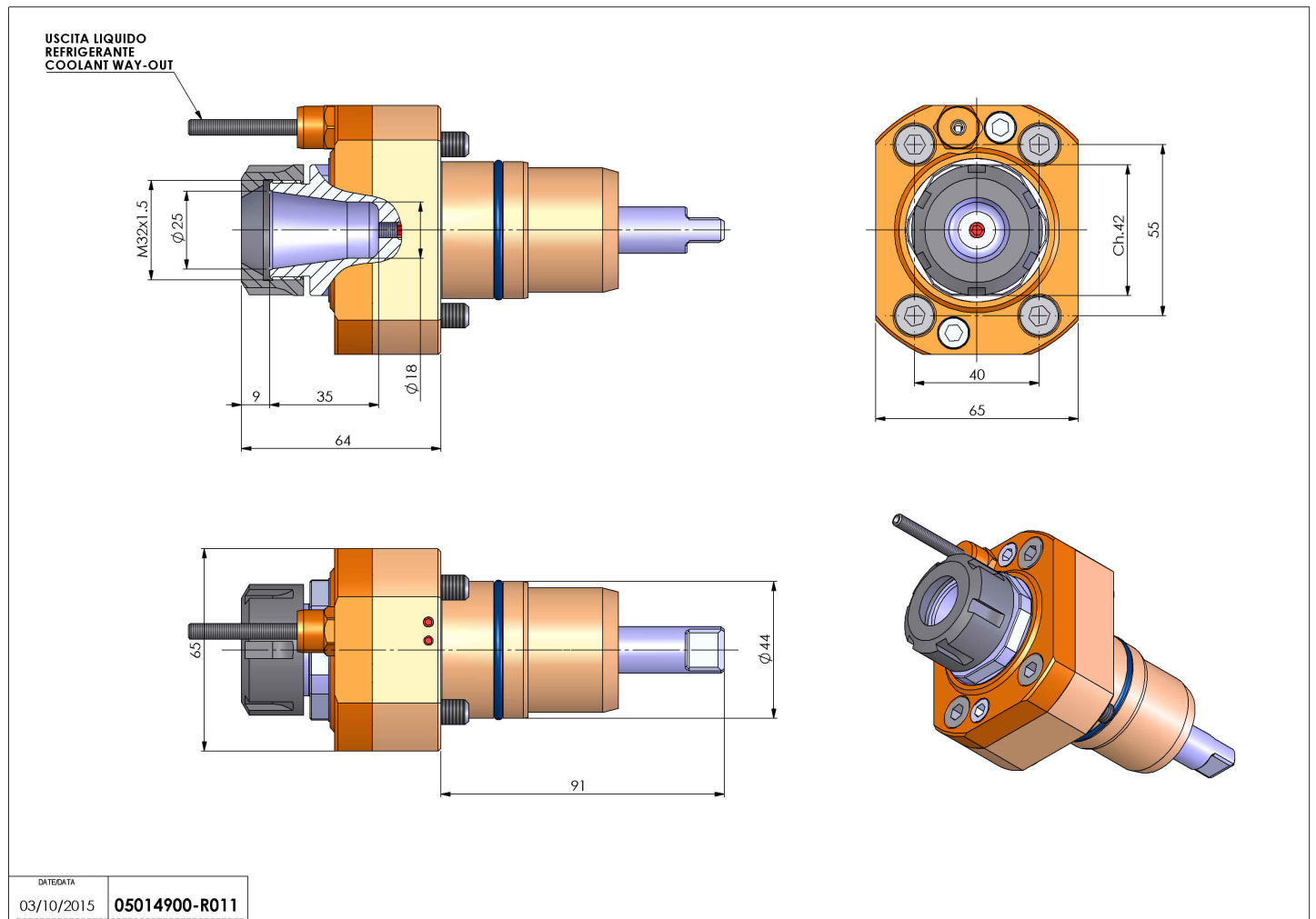


05014900 - LT-S D44 ER25 H64 NK

Type	LT-S Tool holder straight
Mounting	CYLINDRICAL SHANK 44
Tool output	Collet nut ER 25
Coolant	External coolant
Direction of rotation	r1 r2
Max speed [rpm]	6000
Max torque [Nm]	40
Ratio	1:1
H [mm]	64
Accessories	
Notes	N.A.
Mounting tips	Not suitable for every application, please check



Always check live tool dimensions on the turret



DATE/DATE	03/10/2015	05014900-R011
-----------	------------	---------------

Subject to technical changes