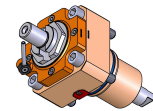
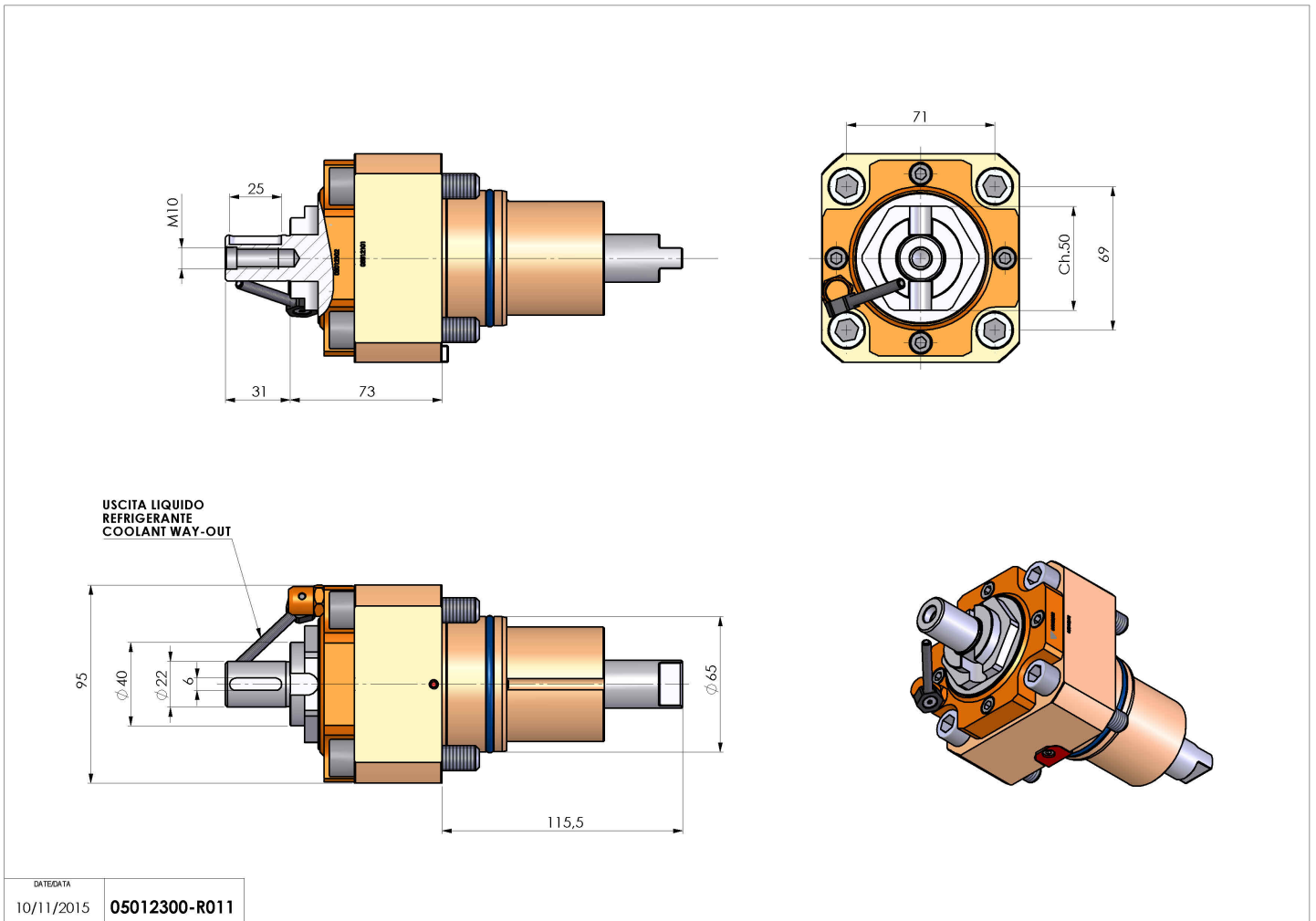


05012300 - LT-S D65 DIN138-22 H73 NK

| | |
|------------------------------|--|
| Type | LT-S Tool holder straight |
| Mounting | CYLINDRICAL SHANK 65 |
| Tool output | Shell-Mill DIN138 22 |
| Coolant | External coolant |
| Direction of rotation | r1 r2 |
| Max speed [rpm] | 6000 |
| Max torque [Nm] | 63 |
| Ratio | 1:1 |
| H [mm] | 73 |
| Accessories | |
| Notes | N.A. |
| Mounting tips | Not suitable for every application, please check |



Always check live tool dimensions on the turret



| | |
|------------|----------------------|
| DATE/DATE | |
| 10/11/2015 | 05012300-R011 |

Subject to technical changes