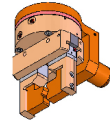


01909100 - ATR AUTC D135-2 C15 VDI40 HY

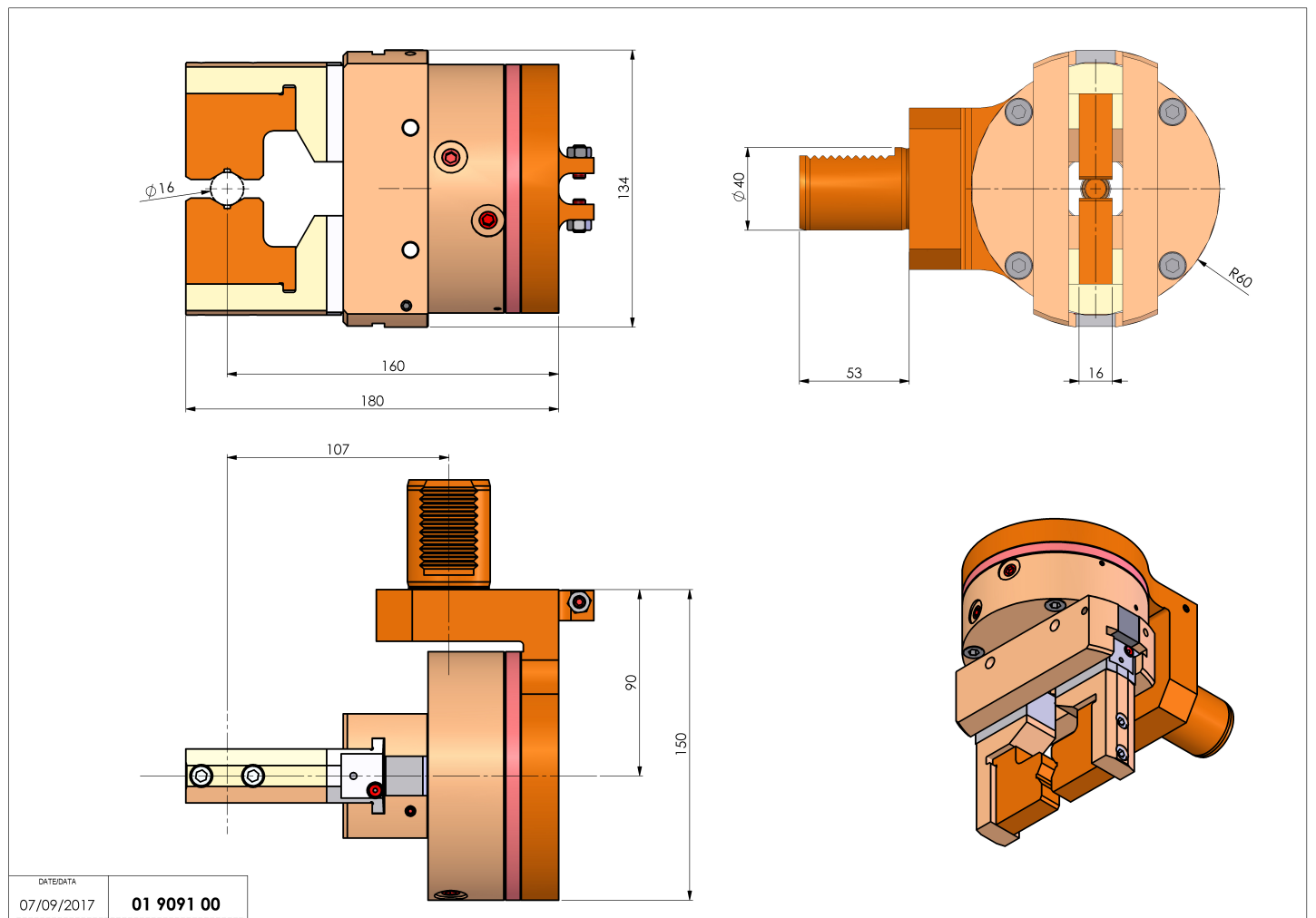
Type	LT SPECIALE Custom tool holder
Mounting	VDI 40
Tool output	Not-defined model
Coolant	N.A.
H [mm]	160



Accessories	N.A.
Notes	N.A.
Mounting tips	Not suitable for every application, please check

ATTENZIONE: VERIFICARE L'ORIENTAMENTO DELLA DENTATURA VDI

Always check live tool dimensions on the turret



DATE/DATE	07/09/2017
01 9091 00	

Subject to technical changes