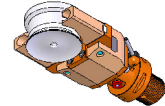


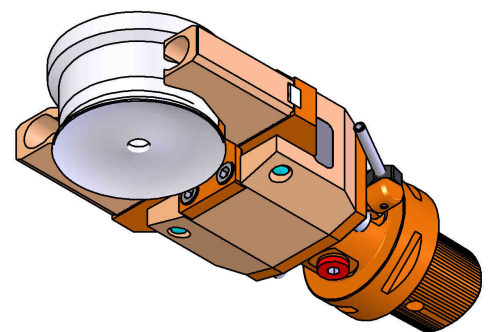
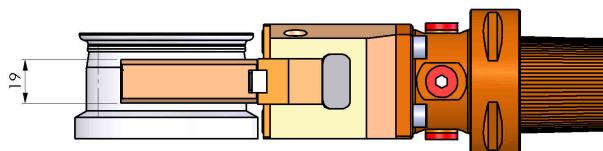
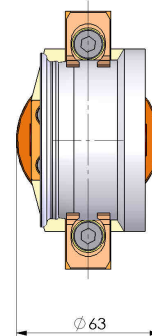
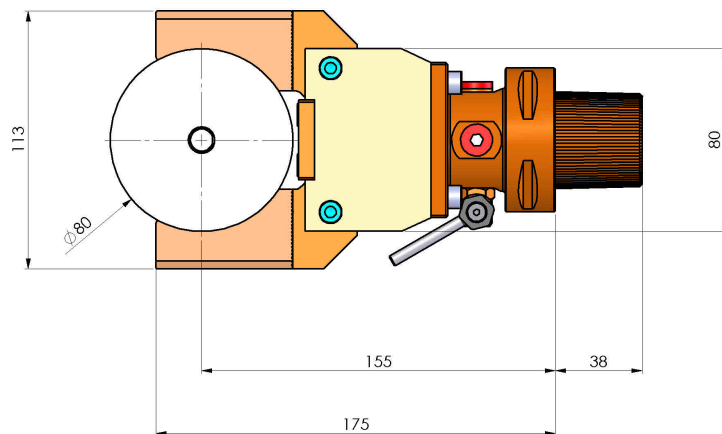
## 01908700 - ATR MANIPOLATORE CAPTO-C6 MZ

<b>Type</b>	ATR MAN Handling hand
<b>Mounting</b>	N.A.
<b>Tool output</b>	Not-defined model
<b>Coolant</b>	N.A.
<b>H [mm]</b>	155



<b>Accessories</b>	N.A.
<b>Notes</b>	N.A.
<b>Mounting tips</b>	Not suitable for every application, please check

Always check live tool dimensions on the turret



DATE/DATA	
24/07/2017	A-01 9087 00

Subject to technical changes