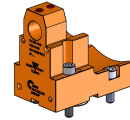


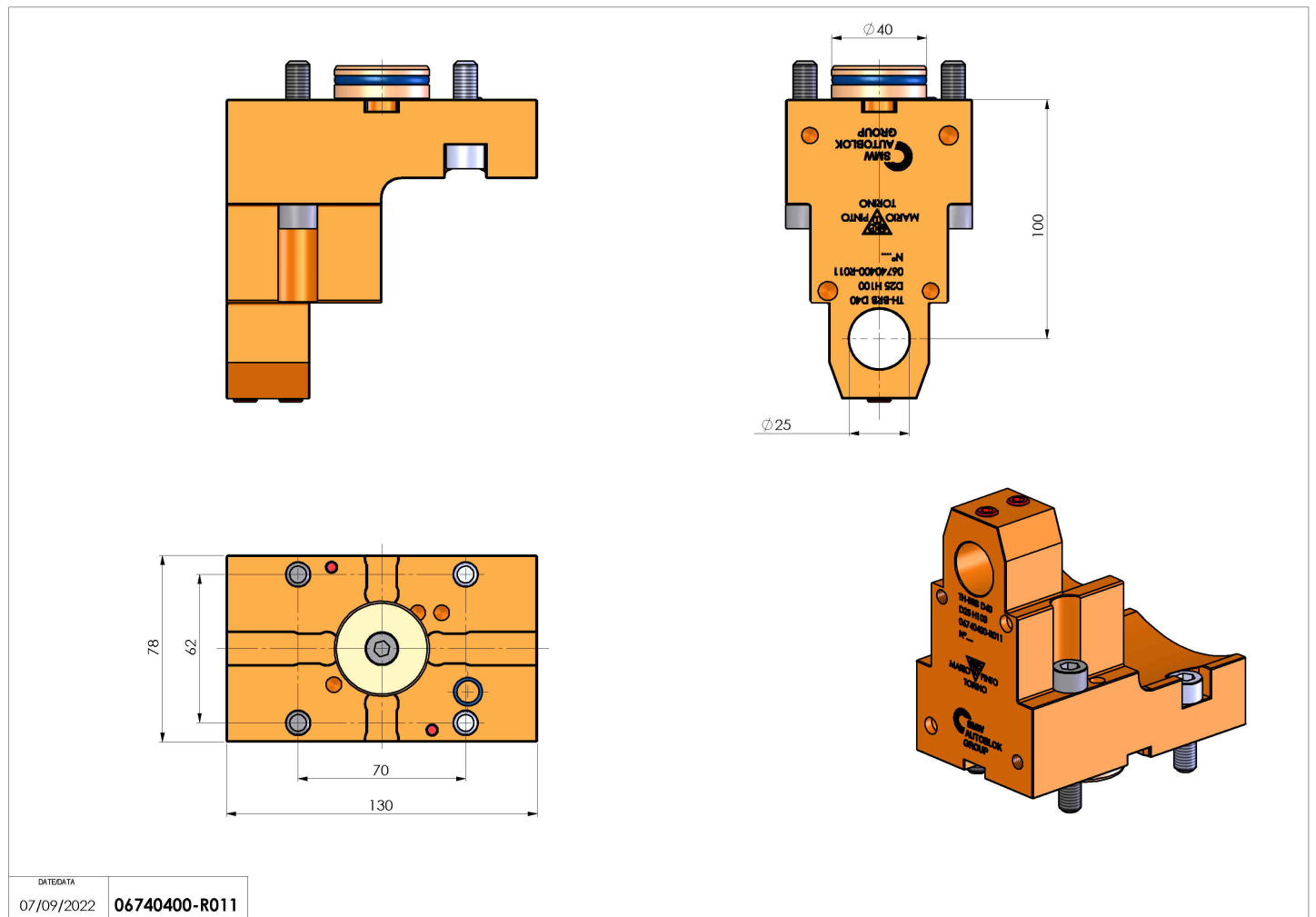
06740400 - TH-BRB D40 D25 H100

Type	TH SPECIALE Tool holder customized
Mounting	CYLINDRICAL SHANK 40
Tool output	Boring Bar Holder 25
Coolant	N.A.
H [mm]	100



Accessories	N.A.
Notes	N.A.
Mounting tips	Not suitable for every application, please check

Always check live tool dimensions on the turret



DATE/DATA	07/09/2022	06740400-R011
-----------	------------	---------------

Subject to technical changes