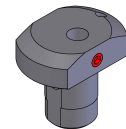


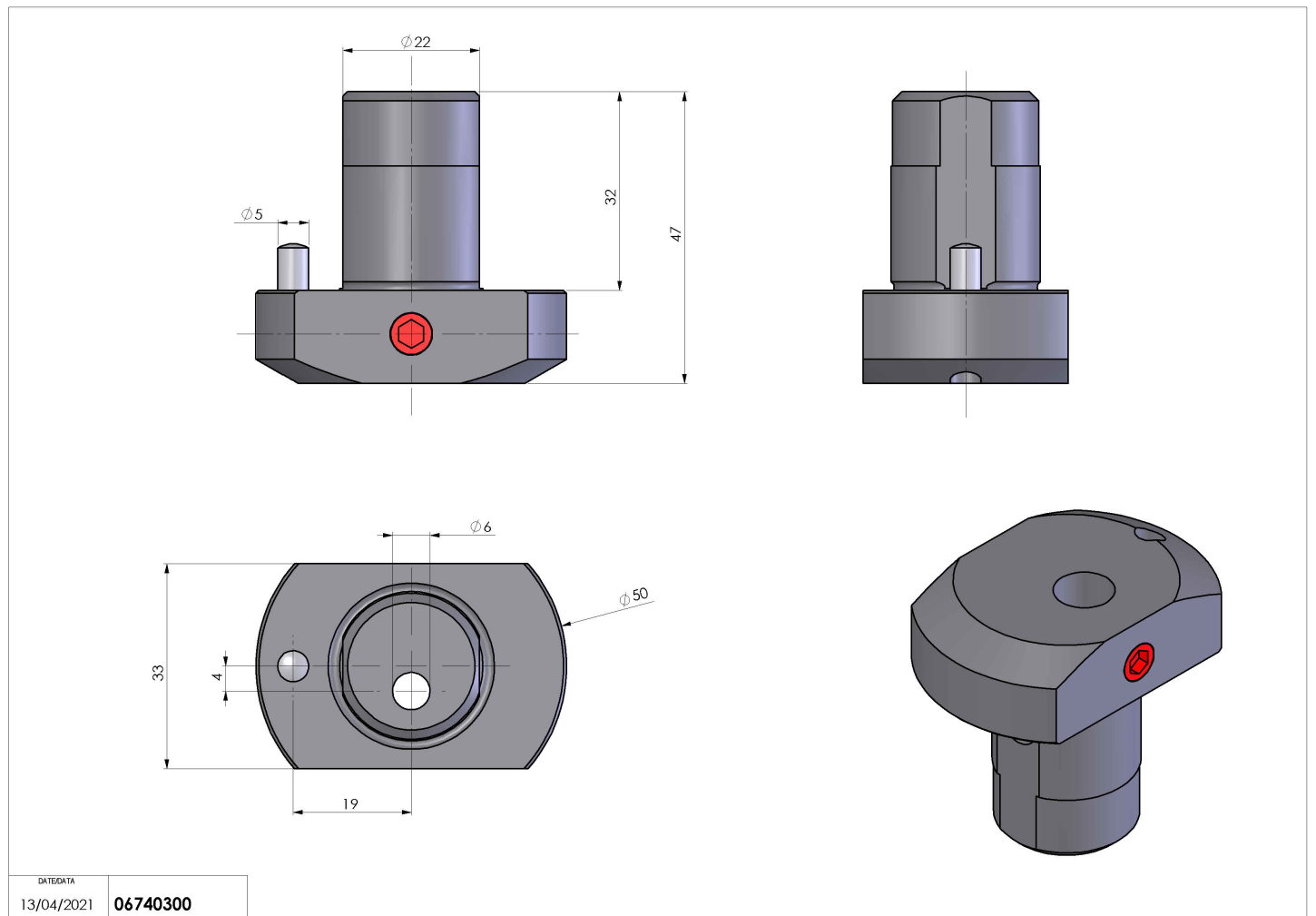
06740300 - TH-BRB D24 DIS4 D10 SPEC

Type	TH SPECIALE Tool holder customized
Mounting	CYLINDRICAL SHANK 24
Tool output	Boring Bar Holder 10
Coolant	N.A.
H [mm]	15



Accessories	N.A.
Notes	N.A.
Mounting tips	Not suitable for every application, please check

Always check live tool dimensions on the turret



DATE/DATA
13/04/2021 06740300

Subject to technical changes