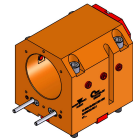
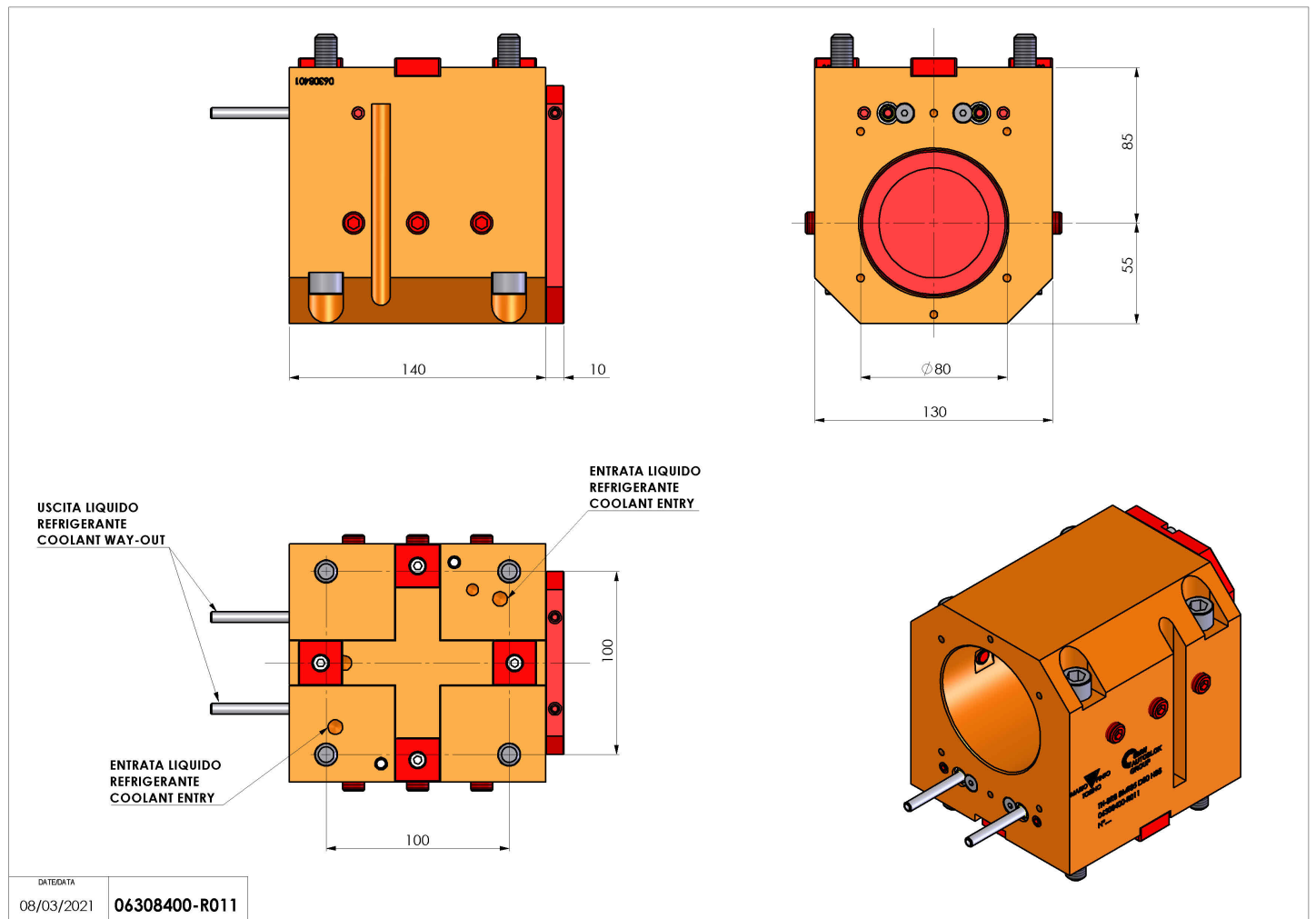


06308400 - TH-BRB BMT85 D80 H85

Type	TH-BRB Boring bar holder
Mounting	BMT 85
Tool output	Boring Bar Holder 80
Coolant	External / Internal coolant
H [mm]	85
Accessories	N.A.
Notes	N.A.
Mounting tips	Not suitable for every application, please check



Always check live tool dimensions on the turret



Subject to technical changes

DATE/DATE
08/03/2021 06308400-R011