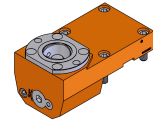


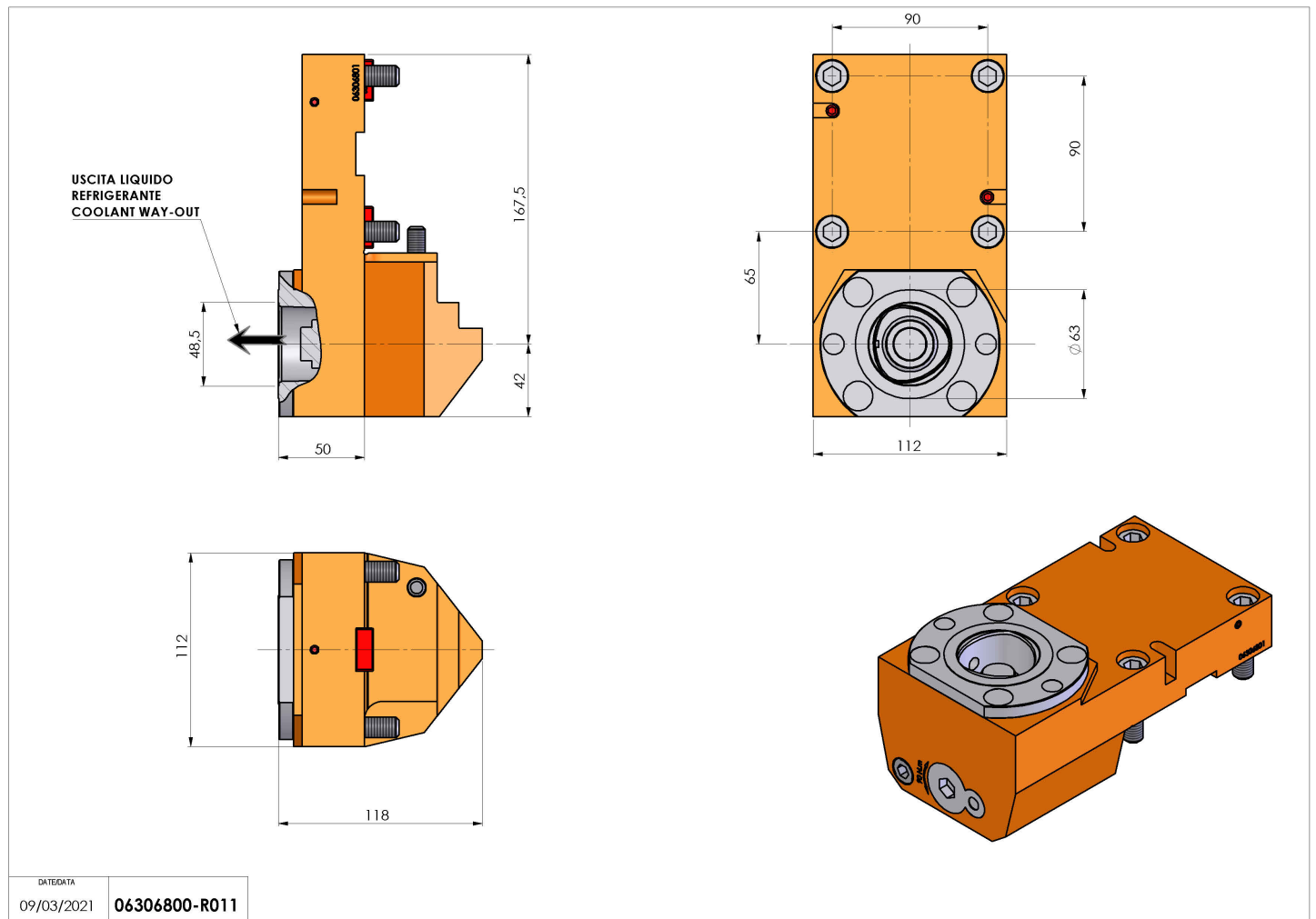
06306800 - TH-RAD BMT75 C60 RF H50

Type	TH-RAD Radial Tool holder
Mounting	BMT 75
Tool output	Polygonal shank C63 ISO 26623-1
Coolant	Internal coolant
H [mm]	50



Accessories	N.A.
Notes	N.A.
Mounting tips	Not suitable for every application, please check

Always check live tool dimensions on the turret



Subject to technical changes