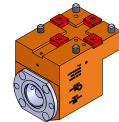
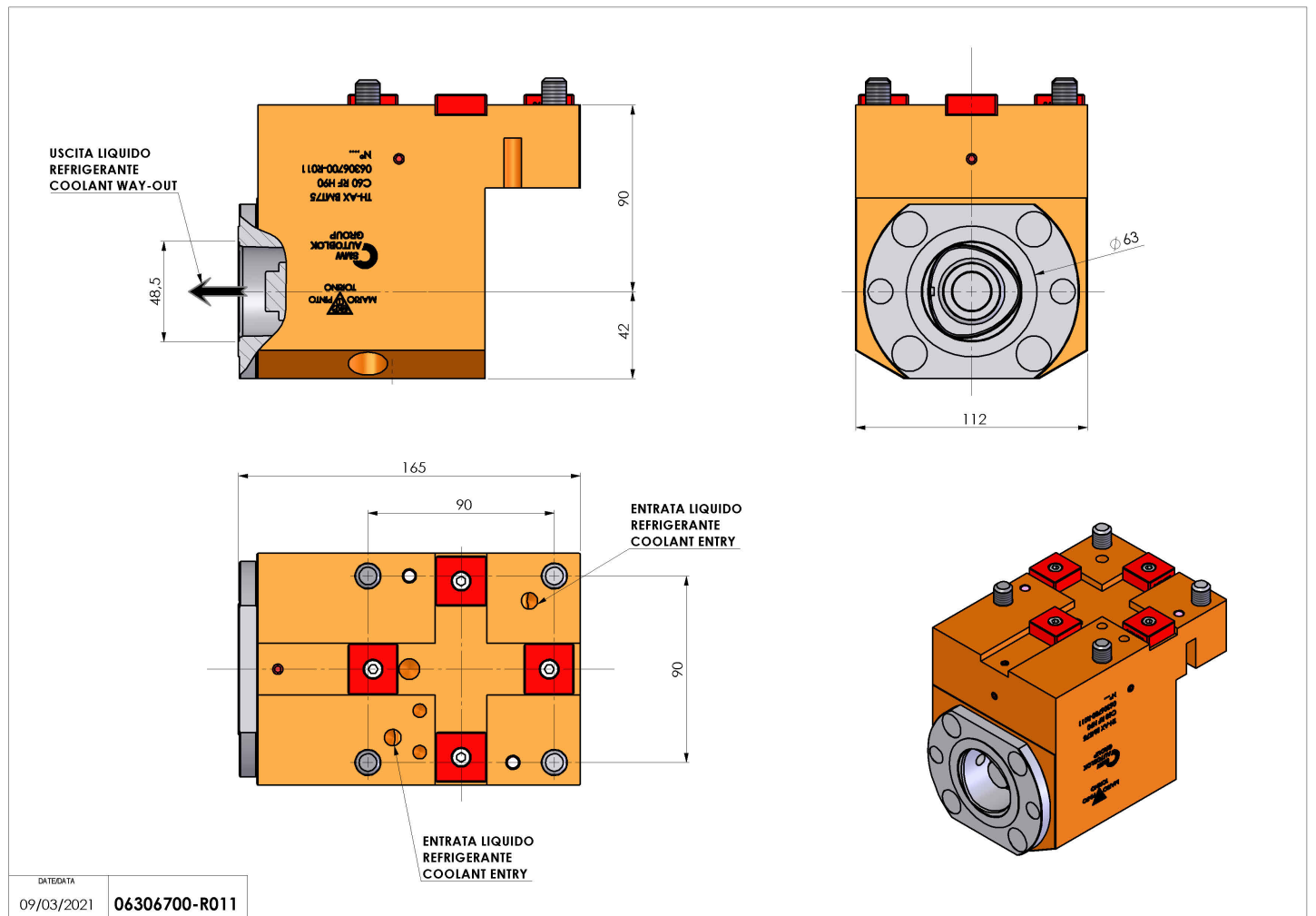


06306700 - TH-AX BMT75 C60 RF H90

Type	TH-AX Axial Tool holder
Mounting	BMT 75
Tool output	Polygonal shank C63 ISO 26623-1
Coolant	Internal coolant
H [mm]	90
Accessories	N.A.
Notes	N.A.
Mounting tips	Not suitable for every application, please check



Always check live tool dimensions on the turret



Subject to technical changes