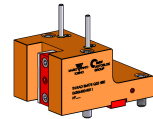
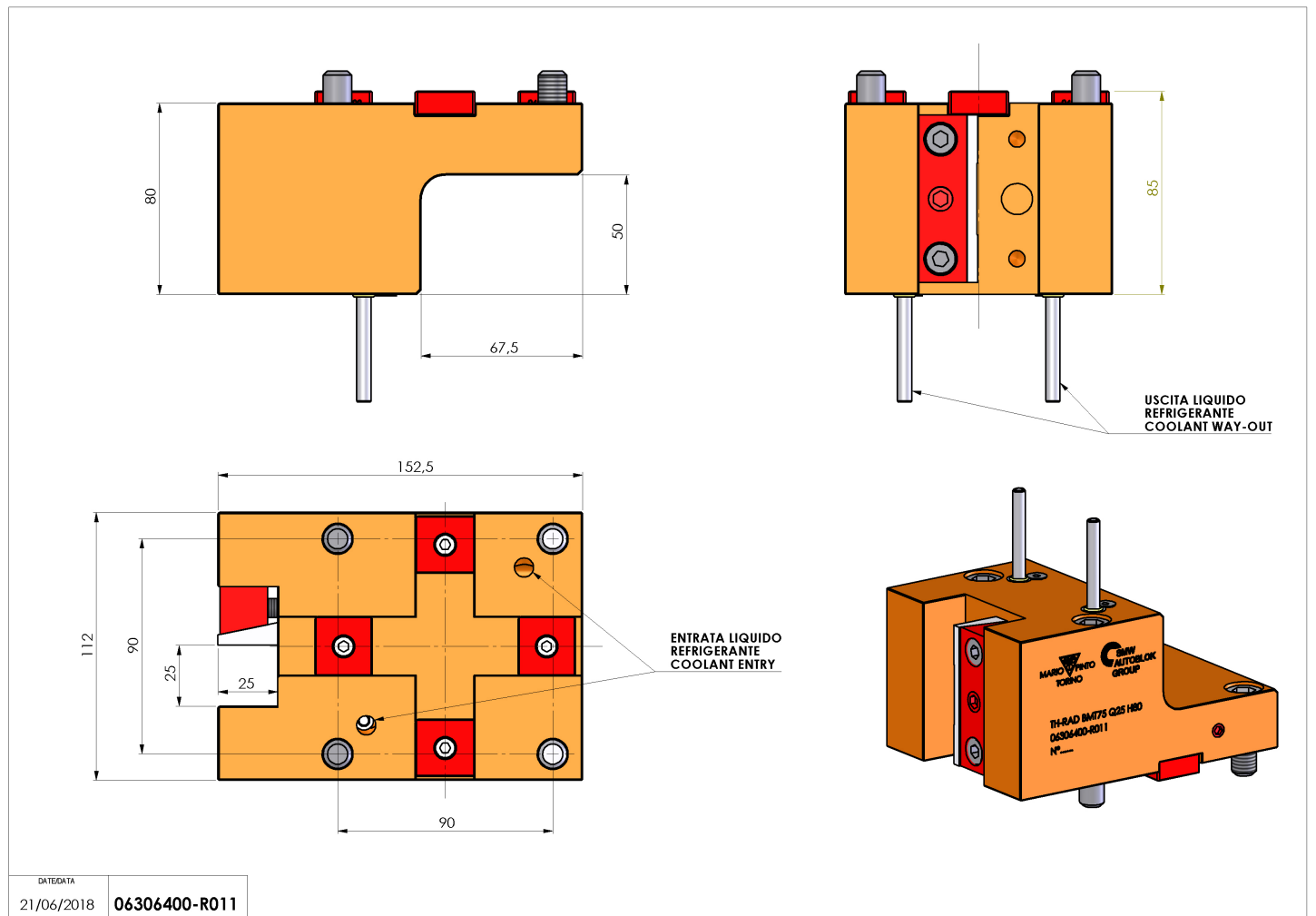


06306400 - TH-RAD BMT75 Q25 H80

Type	TH-RAD Radial Tool holder
Mounting	BMT 75
Tool output	Radial Square Tool Holder 25x25
Coolant	External coolant
H [mm]	80
Accessories	N.A.
Notes	N.A.
Mounting tips	Not suitable for every application, please check



Always check live tool dimensions on the turret



DATE/DATE	21/06/2018	06306400-R011
-----------	------------	---------------

Subject to technical changes