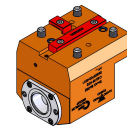
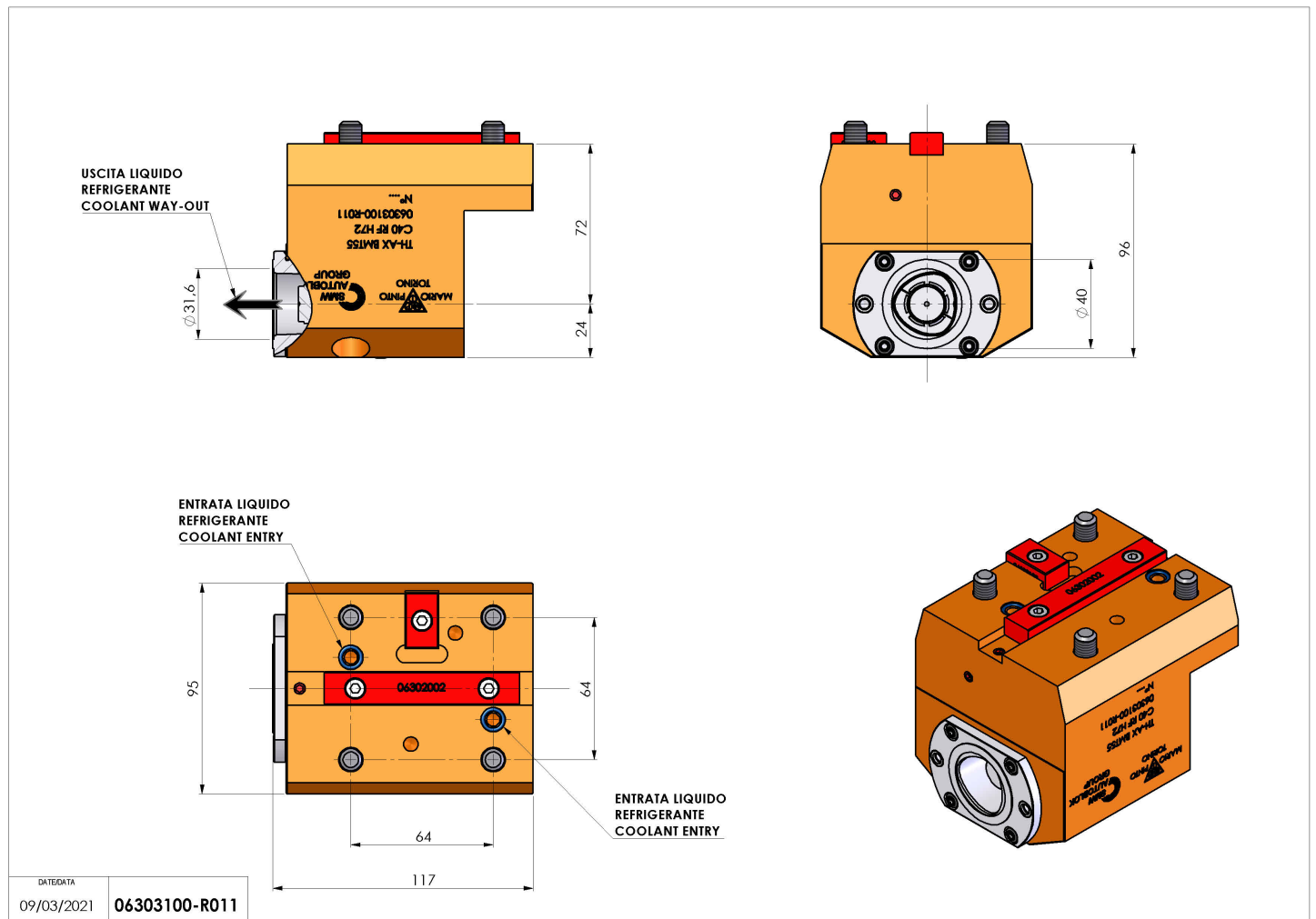


06303100 - TH-AX BMT55 C40 RF H70

Type	TH-AX Axial Tool holder
Mounting	BMT 55
Tool output	Polygonal shank C40 ISO 26623-1
Coolant	Internal coolant
H [mm]	72
Accessories	N.A.
Notes	N.A.
Mounting tips	Not suitable for every application, please check



Always check live tool dimensions on the turret



DATE/DATE	09/03/2021
06303100-R011	

Subject to technical changes