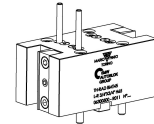


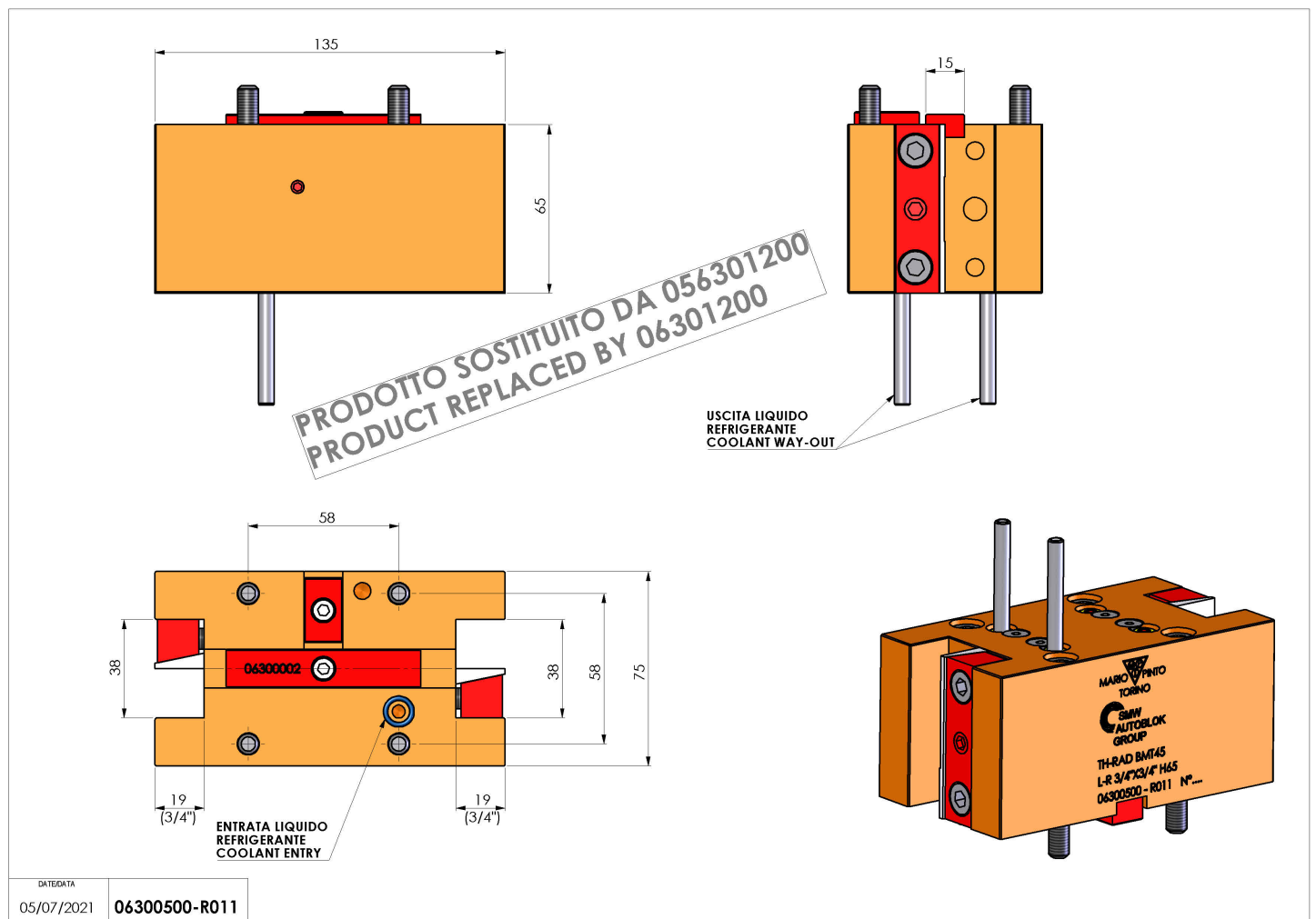
06300500 - TH-RAD BMT45 L-R 3/4"X3/4" H65

Type	TH-RAD Radial Tool holder
Mounting	BMT 45
Tool output	Radial Square Tool Holder 3/4" x 3/4"
Coolant	External coolant
H [mm]	65
Accessories	N.A.
Notes	N.A.
Mounting tips	Not suitable for every application, please check



REPLACED BY 06301200

Always check live tool dimensions on the turret



DATE/DATE	05/07/2021
06300500-R011	

Subject to technical changes