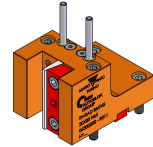


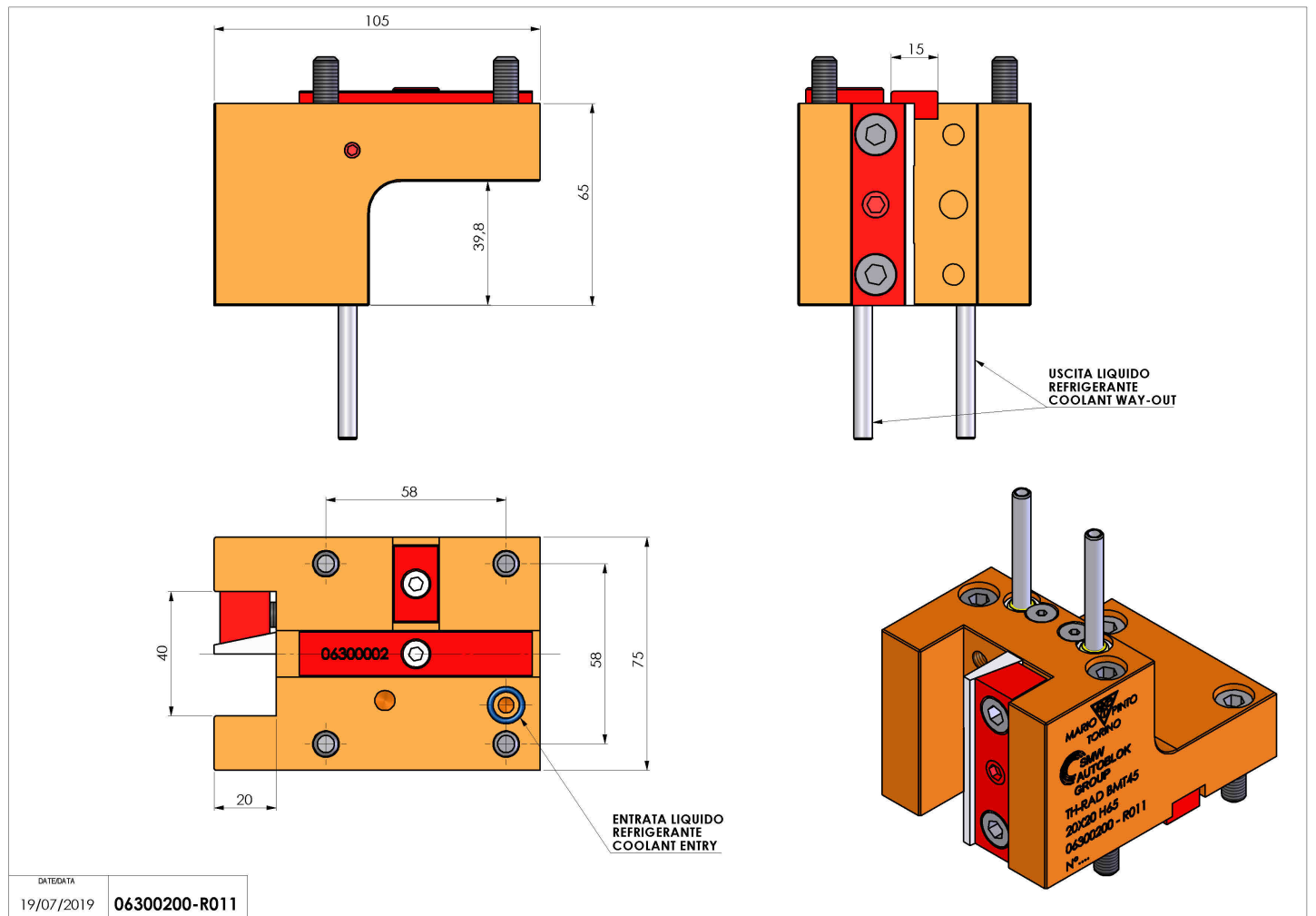
06300200 - TH-RAD BMT45 20X20 H65

| | |
|-------------|---------------------------------|
| Type | TH-RAD Radial Tool holder |
| Mounting | BMT 45 |
| Tool output | Radial Square Tool Holder 20x20 |
| Coolant | External coolant |
| H [mm] | 65 |



| | |
|---------------|--|
| Accessories | N.A. |
| Notes | N.A. |
| Mounting tips | Not suitable for every application, please check |

Always check live tool dimensions on the turret



Subject to technical changes