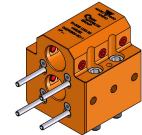


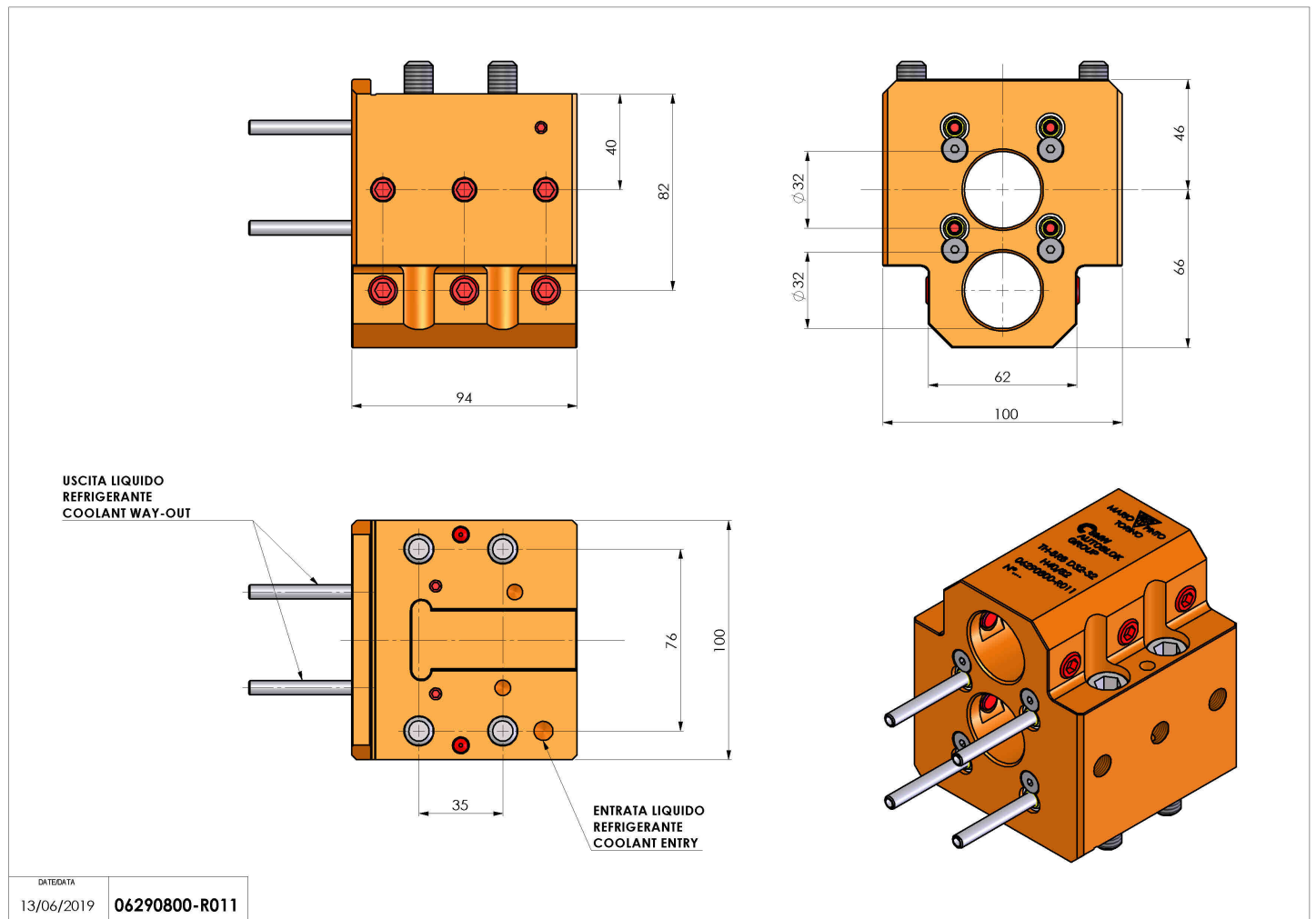
# 06290800 - TH-BRB D32-32 H40-82

Type	TH-BRB Boring bar holder
Mounting	CMZ FIXING ATTACK
Tool output	Boring Bar Holder 32
Coolant	External coolant
H [mm]	40-82



Accessories	N.A.
Notes	N.A.
Mounting tips	Not suitable for every application, please check

Always check live tool dimensions on the turret



Subject to technical changes