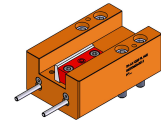


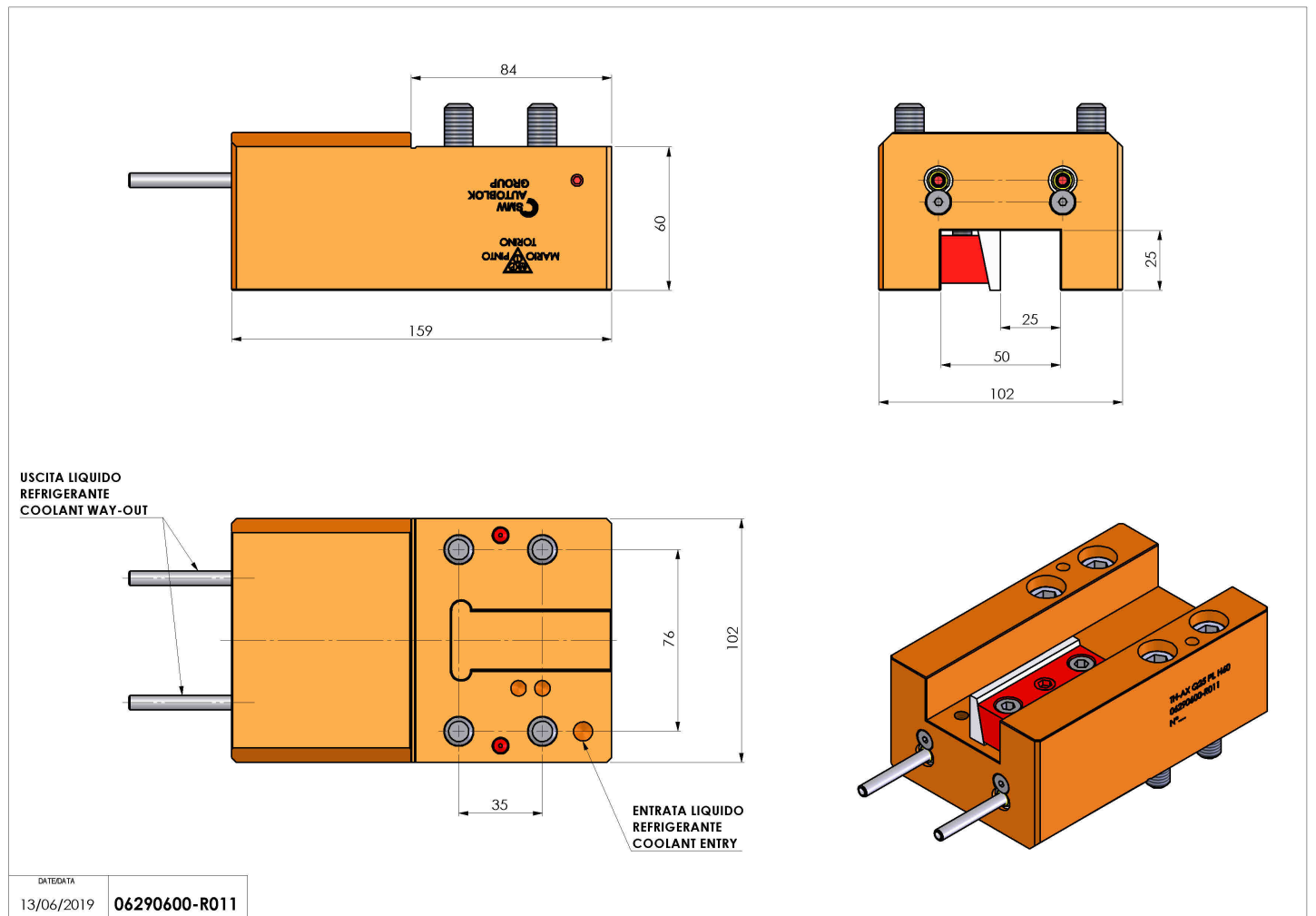
06290600 - TH-AX Q25 PL H60

| | |
|--------------------|--------------------------------|
| Type | TH-AX Axial Tool holder |
| Mounting | CMZ FIXING ATTACK |
| Tool output | Axial Square Tool Holder 25x25 |
| Coolant | External coolant |
| H [mm] | 60 |



| | |
|----------------------|--|
| Accessories | N.A. |
| Notes | N.A. |
| Mounting tips | Not suitable for every application, please check |

Always check live tool dimensions on the turret



Subject to technical changes